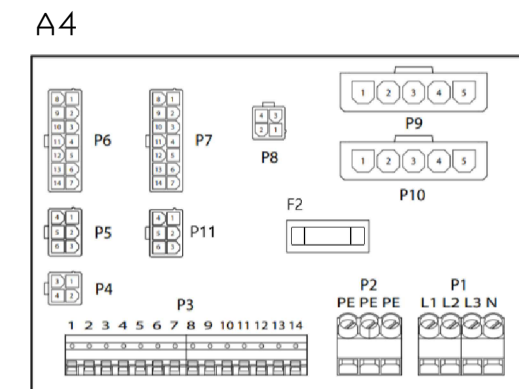
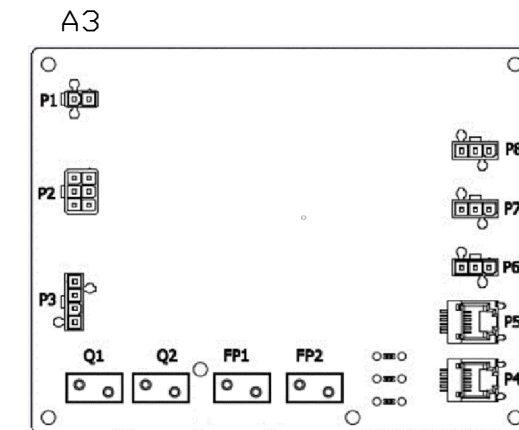
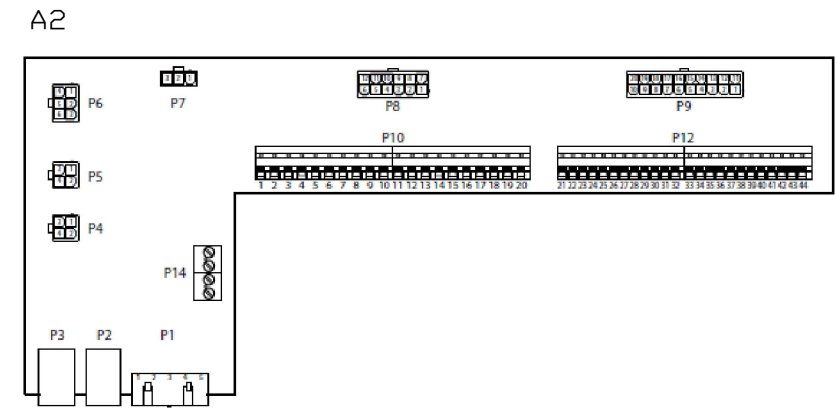
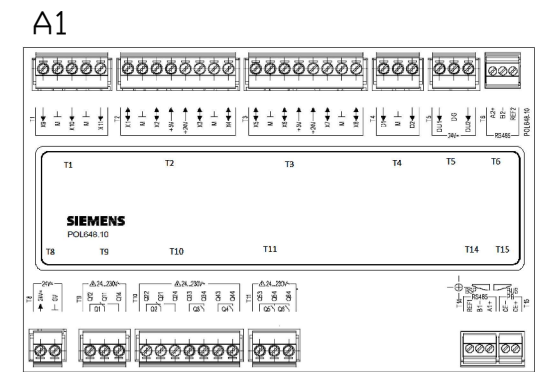
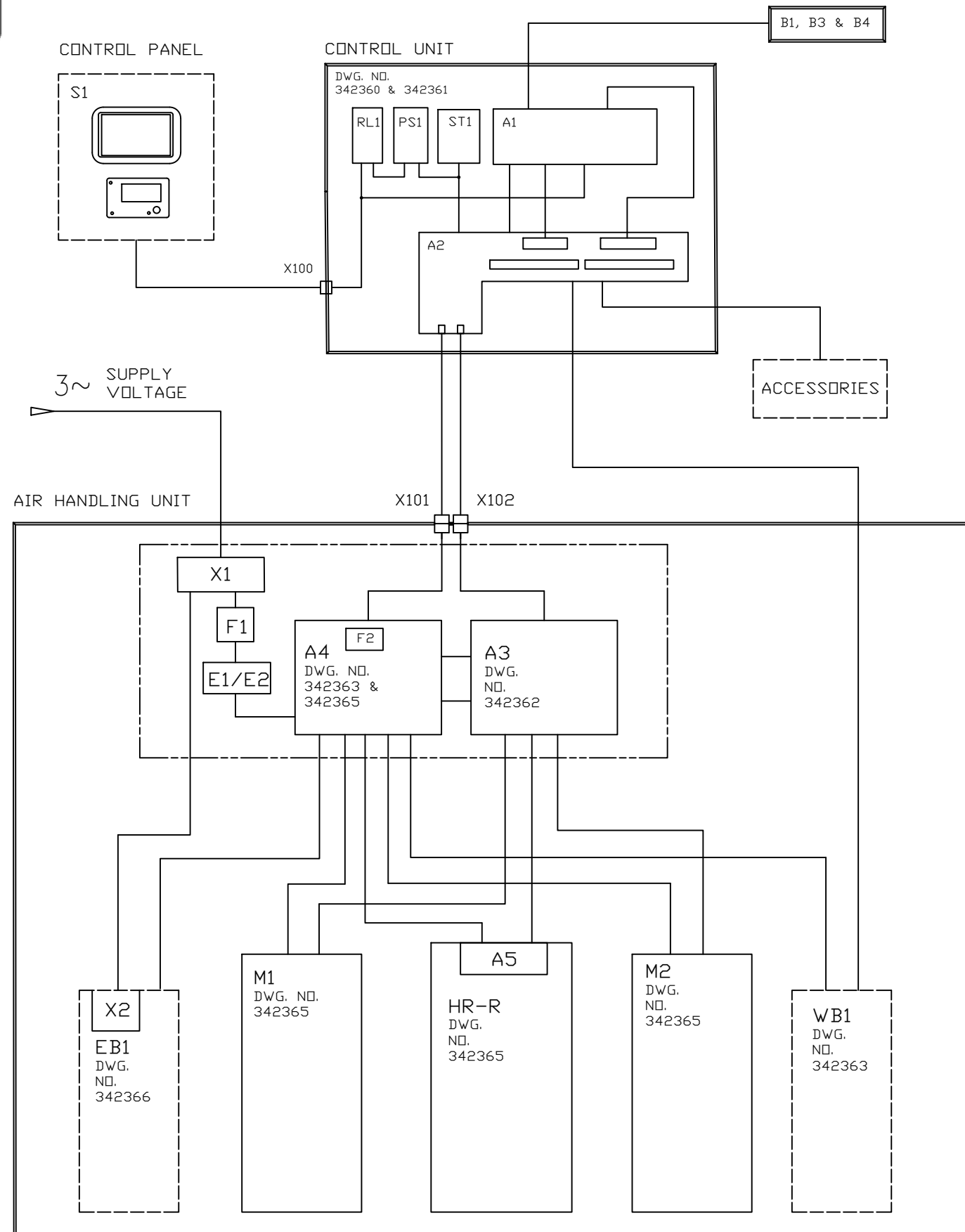


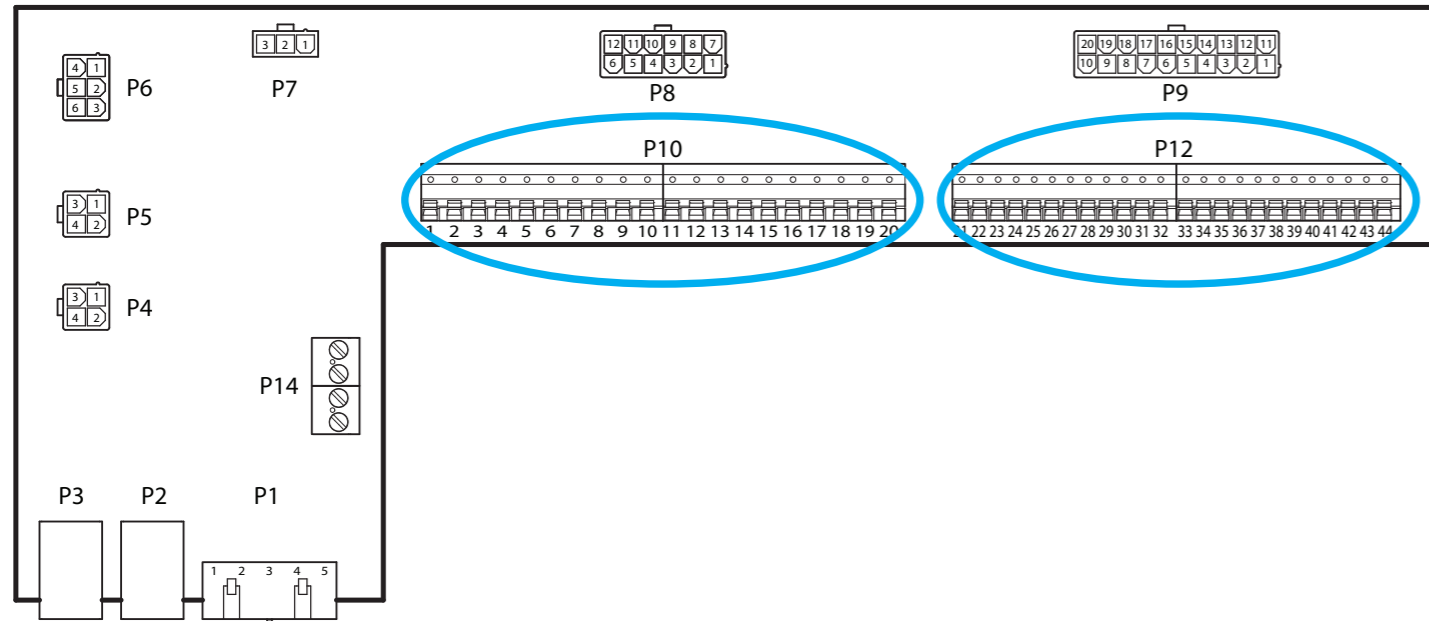
EN



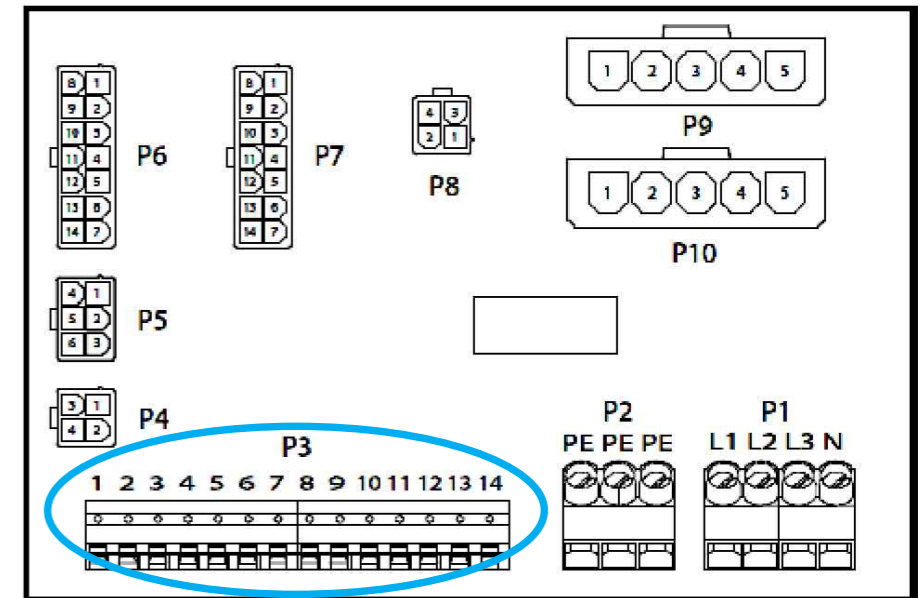
No. Unit	Pos. No.	Name, type, dim.	Drawing no. Standard	Art. No.	Matr. Spec.
Date	2021-05-26	Drawn RydKri	Projection 	Scale	
Checked		Appr.			
CONNECTION DIAGRAM ProNordic S100-S260 ART.NO 118109				Replaces:	Replaced by:
				342359	

5	DRAWING UPDATED	220919/RydKri
Rev.	Changes	Date/Sign.

A2



A4



120032EN-01 2020-11

External accessories

Terminal block P10 has the following signals:

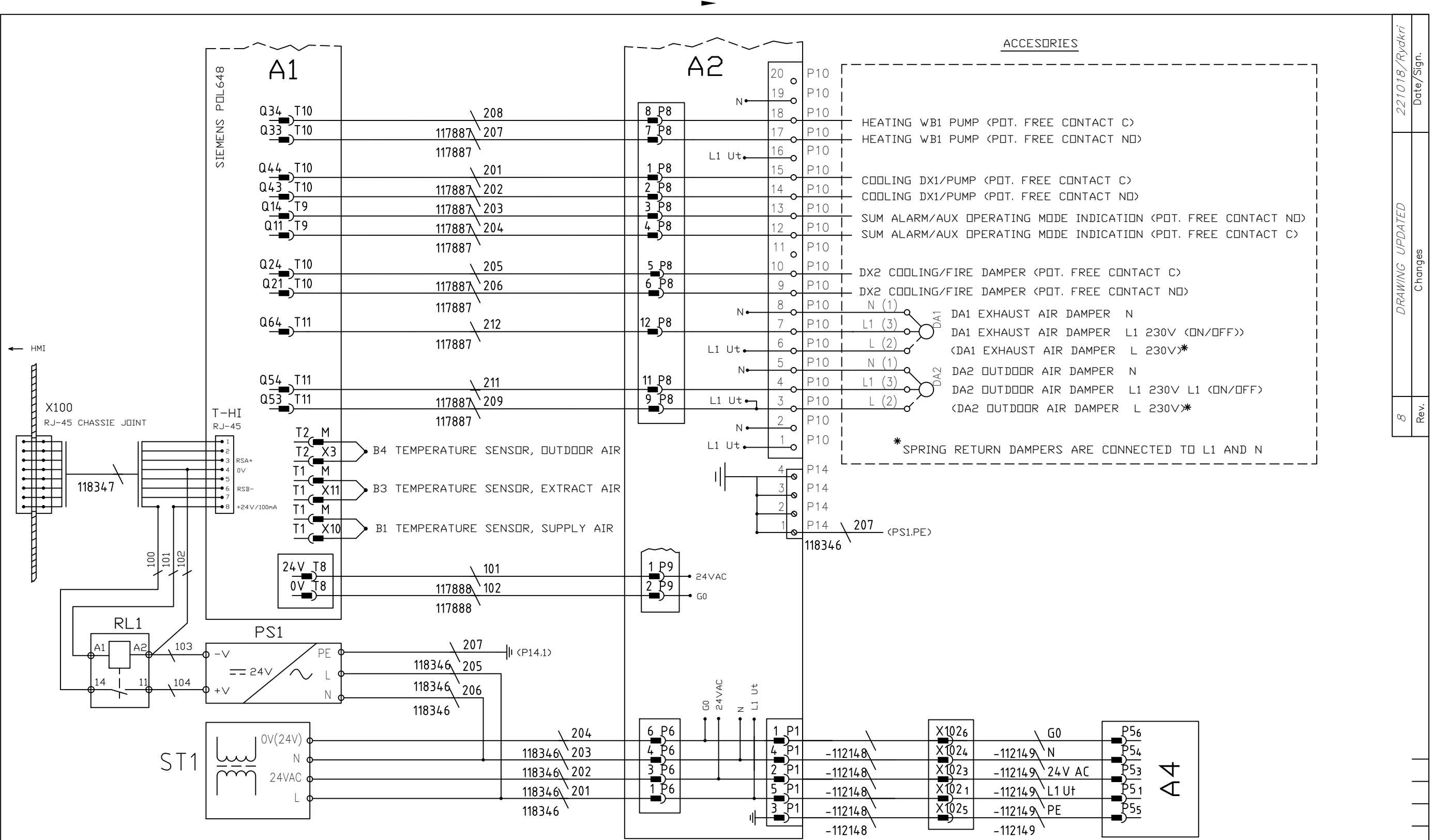
Block	Funktion	Description
1	L1 Ut (230V)	Power supply external accessories
2	N	Power supply external accessories
3	L1 Ut (230V)	Power supply Outdoor air damper
4	L1 230V	Control signal Outdoor air damper ON/OFF
5	N	Power supply Outdoor air damper
6	L1 Ut (230V)	Power supply Exhaust air damper
7	L1 230V	Control signal Exhaust air damper ON/OFF
8	N	Power supply Exhaust air damper
9	C	Pot.free contact (Cooling DX2 or Fire damper) ON/OFF
10	NO	Pot.free contact (Cooling DX2 or Fire damper) ON/OFF
11	N/A	No connection
12	C	Pot.free contact (Sum alarm / AUX Operating mode indication) ON/OFF
13	NO	Pot.free contact (Sum alarm / AUX Operating mode indication) ON/OFF
14	NO	Pot.free contact Cooling (DX1 or Pump) ON/OFF
15	C	Pot.free contact Cooling (DX1 or Pump) ON/OFF
16	L1 Ut (230V)	Power supply external accessories
17	NO	Pot.free contact Heating WB1 (pump) ON/OFF
18	C	Pot.free contact Heating WB1 (pump) ON/OFF
19	N	Power supply external accessories
20	N/A	No connection

Terminal block P12 has the following signals:

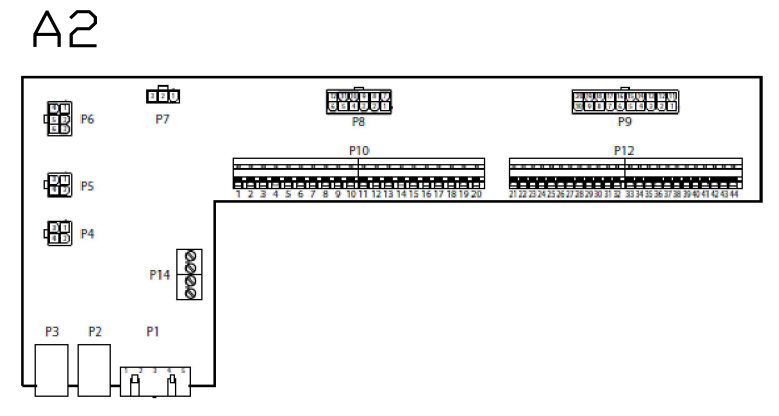
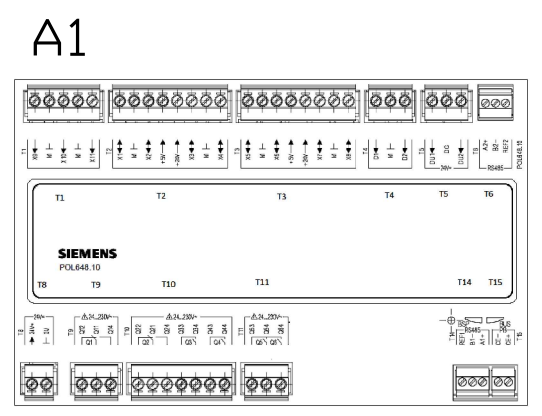
Block	Funktion	Description
21	AO 0-10V	Control signal Cooling (valve or DX)
22	G0	Signal ground Cooling
23	DI	Signal External control step 1
24	G0	Signal ground External control step 1
25	DI	Signal External control step 2
26	G0	Signal ground External control step 2
27	DI alarm	Signal Fire/Smoke input
28	G0	Signal ground External control step 3
29	AI 0-10V	Signal Air quality (e.g CO ₂)
30	G0	Signal ground Air quality
31	AO 0-10V	Control signal Heating WB1 (valve)
32	24VAC	Power supply Heating WB1 (valve), Fire damper position feedback, Fire/smoke,
33	G0	Signal ground Heating WB1 (valve)
34	DI	Signal External control step 3
35	DI	Signal Fire damper position feedback
36	G0	Signal ground
37	AO 0-10V	Control signal AUX damper
38	G0	Signal ground AUX damper
39	Universal I/O	Spare
40	G0	Spare
41	CE-	Process bus accessories (e.g.KNX-LTE)
42	CE+	Process bus accessories (e.g.KNX-LTE)
43	AI 0-10V	Supply fan external setpoint (e.g VAV)
44	AI 0-10V	Extract fan external setpoint(e.g VAV)

Terminal block P3 has the following signals:

Block	Funktion	Description
1	G0	Signal ground external accessories
2	24VAC	Power supply external accessories
3	G0	Signal ground external accessories
4	AO 0-10V	EV (Not used)
5	G0	Signal ground Temp.sensor return water B5
6	DI	Overheating thermostat F10 (Not used)
7	AI	Signal Temp.sensor return water B5
8	N/A	No connection
9	N	Power supply external accessories
10	NO	EV2 (Not used)
11	C	EV2 (Not used)
12	L1 Ut (230V)	Power supply external accessories
13	N	Power supply external accessories
14	L1 Ut (230V)	Power supply external accessories



221018/RydKri	Date/Sign.
DRAWING UPDATED	Changes
8	Rev.

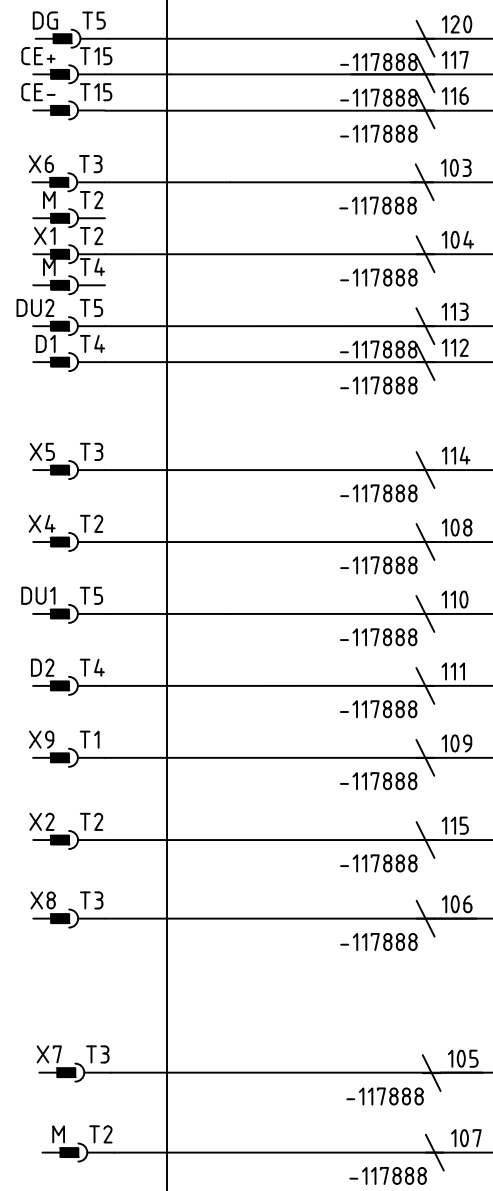


No. Unit	Pos. No.	Name, type, dim.	Drawing no. Standard	Art. No.	Matr. Spec.
Date	2021-05-26	Drawn RydKri	Projection Scale	FLEXIT	
Checked		Appr.	Projection Scale		
CONTROL UNIT A1 AND A2 SECTION 1(2) ProNordic S-Series & L310-L350				Replaces:	Replaced by:
				342360	

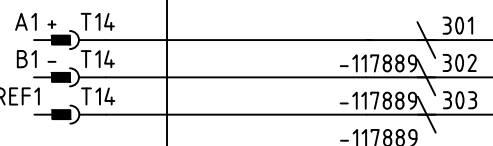
Lay-out MounTain

SIEMENS POL648

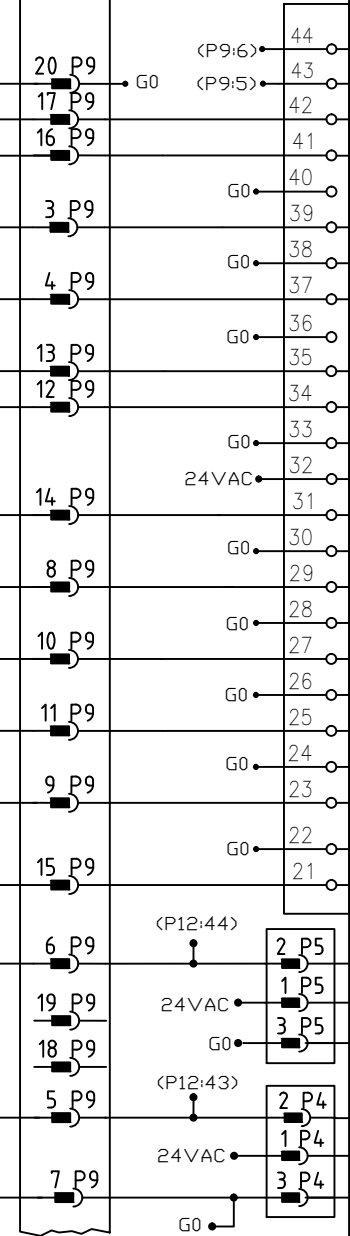
A1



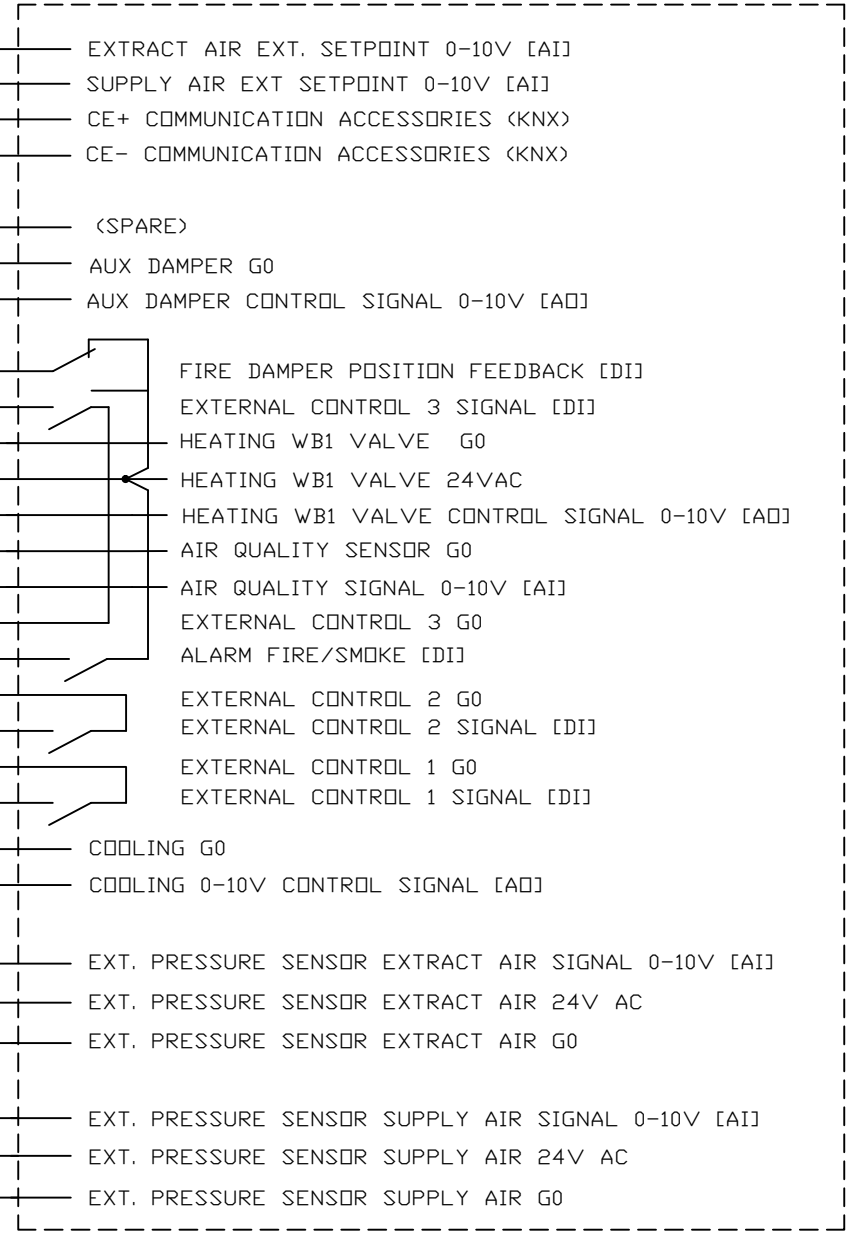
MODBUS RS485



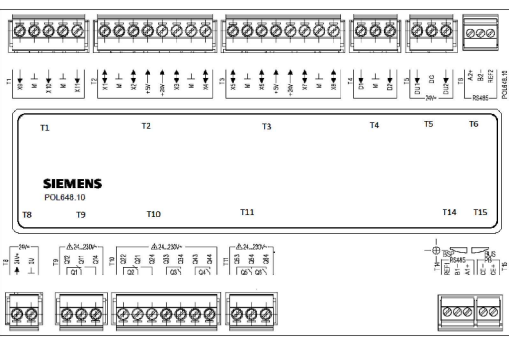
A2



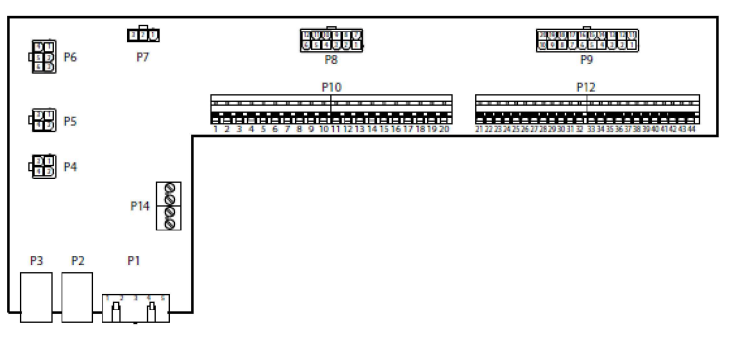
ACCESSORIES



A1



A2

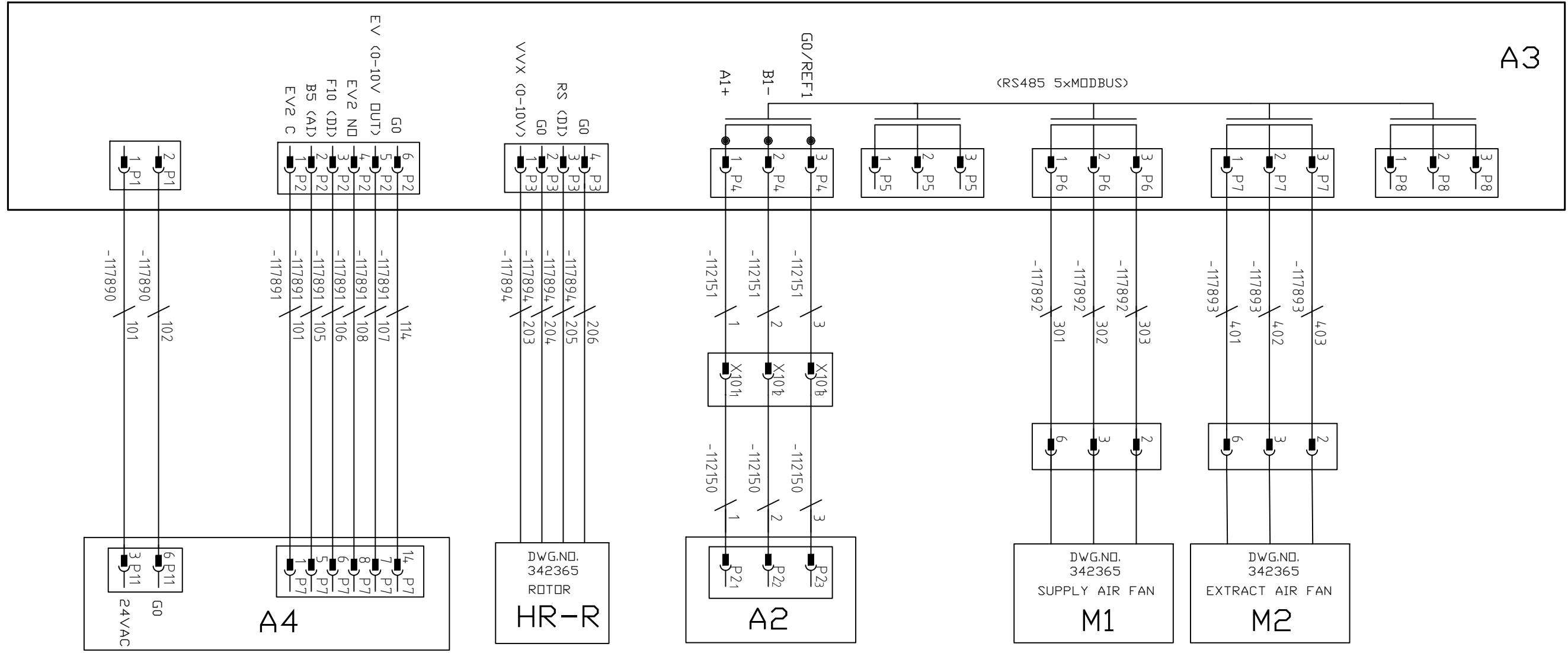


No. Unit	Pos. No.	Name, type, dim.	Drawing no. Standard	Art. No.	Matr. Spec.
Date	2021-05-26	Drawn RydKri	Projection 	Scale	
Checked		Appr.			
CONTROL UNIT A1 AND A2				Replaces:	Replaced by:
SECTION 2(2)					
<i>ProNordic S-Series & L310-L350</i>					342361

221018/RydKri	Date/Sign.
DRAWING UPDATED	Changes
6	Rev.

Lay-out MounTain

A3



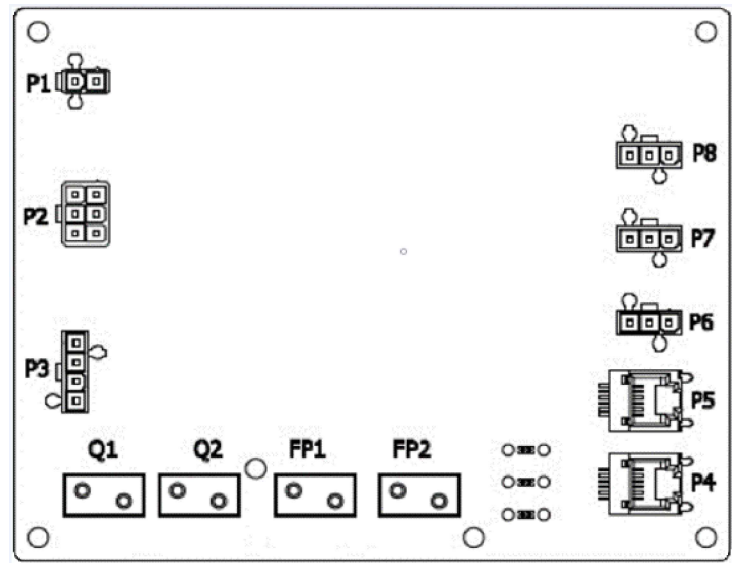
A4

A2

M1

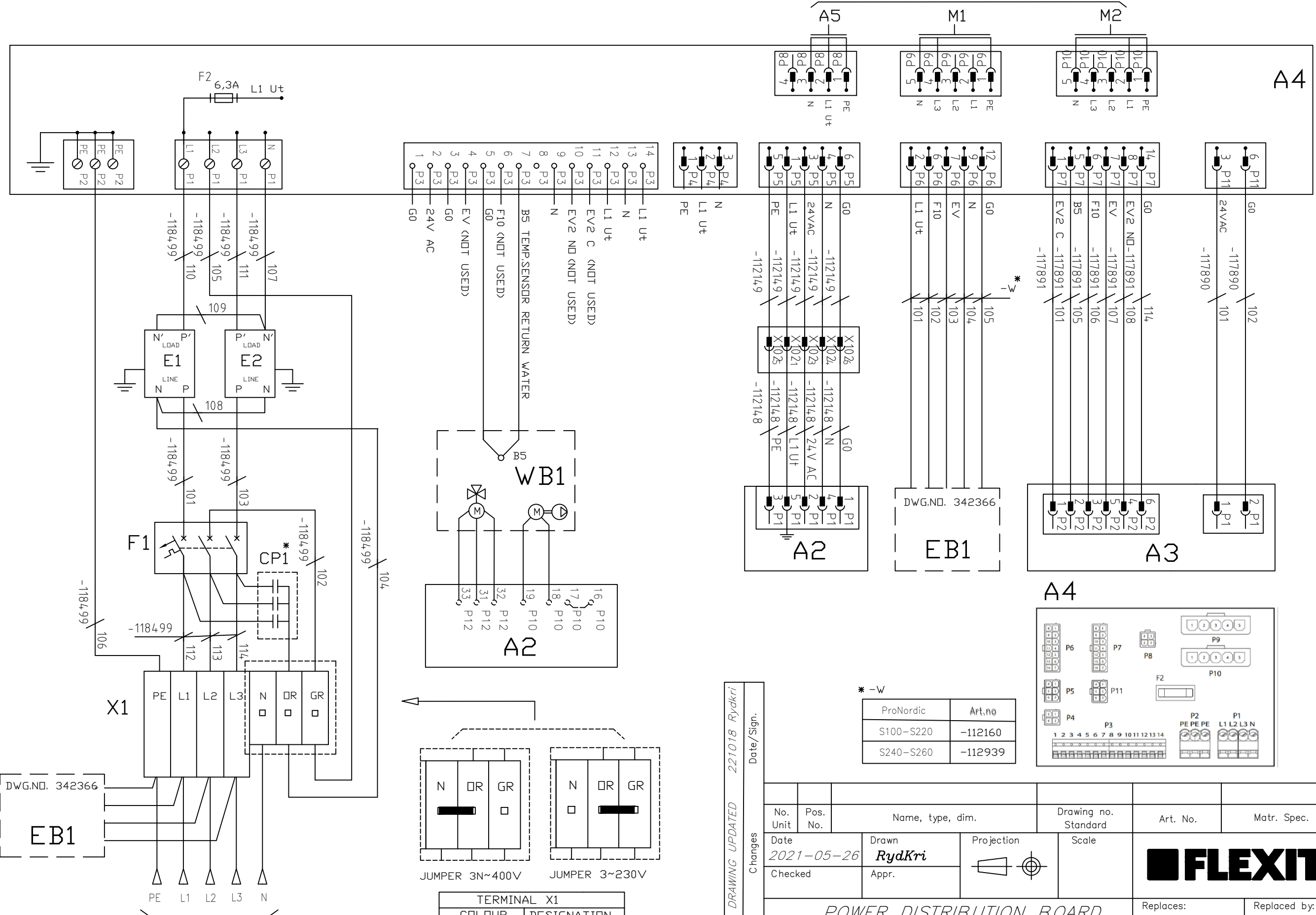
M2

A3

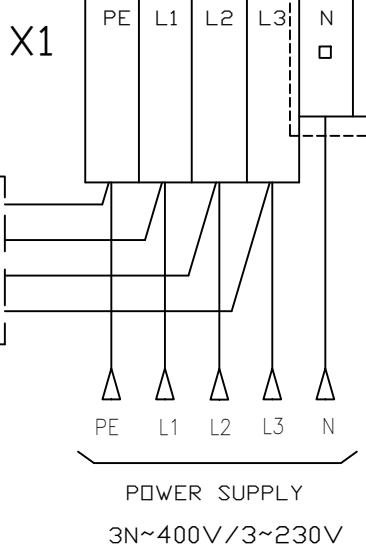


220921/KR	Date/Sign.							
	DRAWING UPDATED	No. Unit	Pos. No.	Name, type, dim.	Drawing no. Standard	Art. No.	Matr. Spec.	
		Date	2021-05-26	Drawn	RydKri	Projection	Scale	
		Checked		Appr.				
4	Rev	MODBUS I/O-EXTENDER A3 ProNordic S100-S260				Replaces:	Replaced by: 342362	

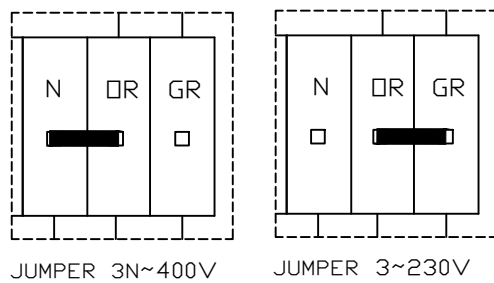
Lay-out Moun~tain



DWG.NO. 342366
EB1



* (CP1 Only for S260)



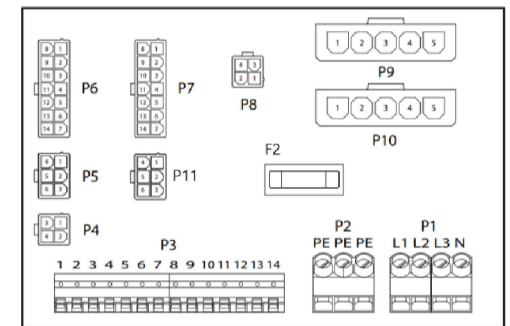
TERMINAL X1	
COLOUR	DESIGNATION
BLUE	N
ORANGE	OR
GREY	GR

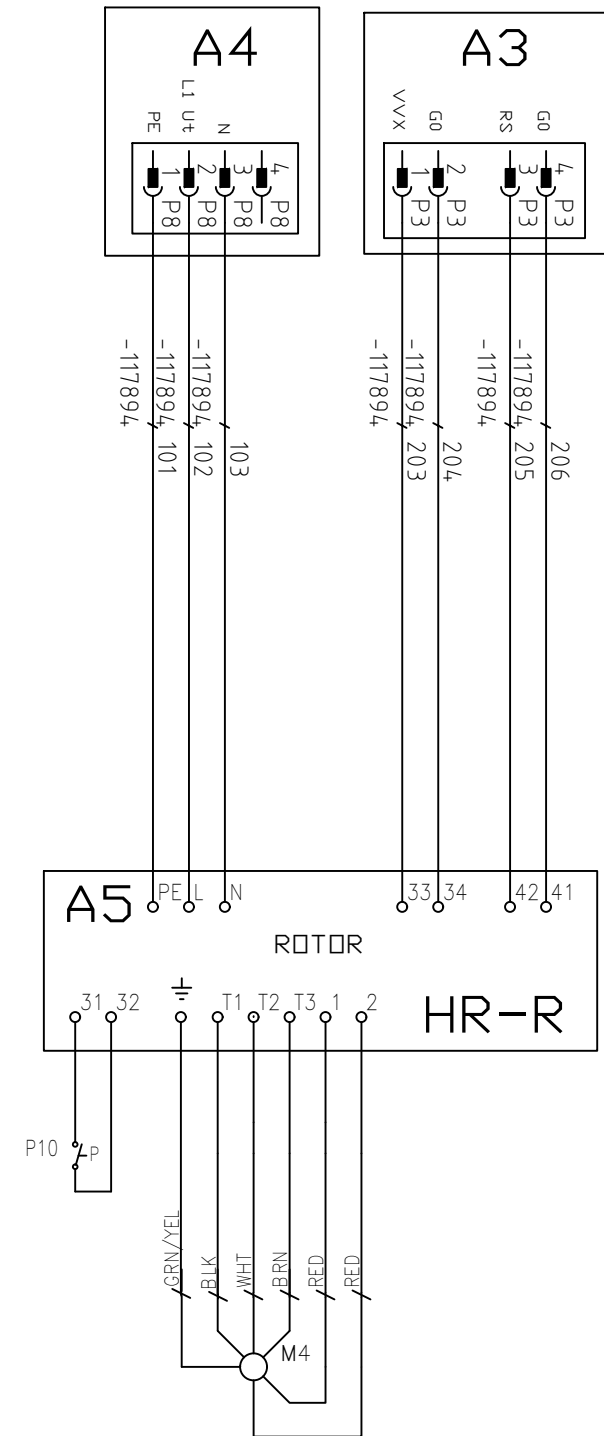
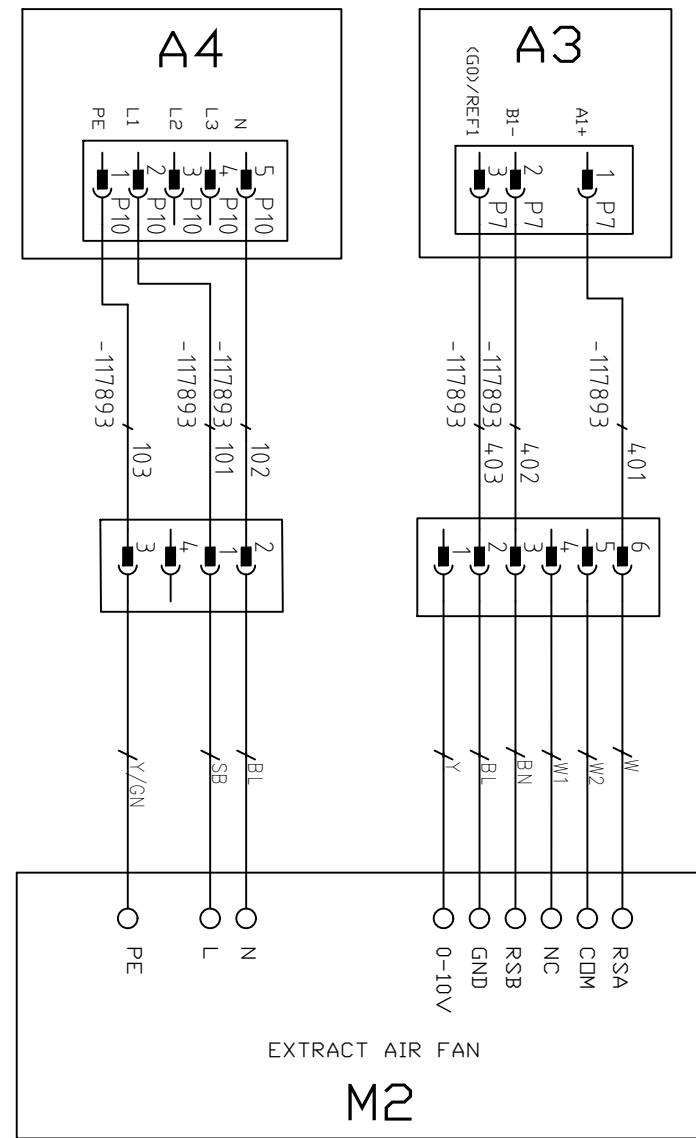
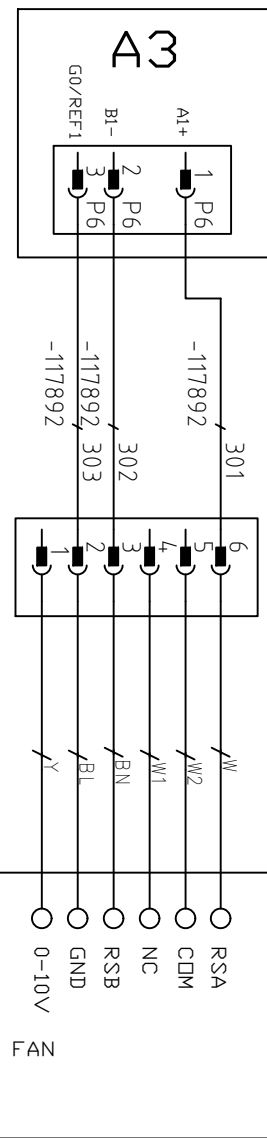
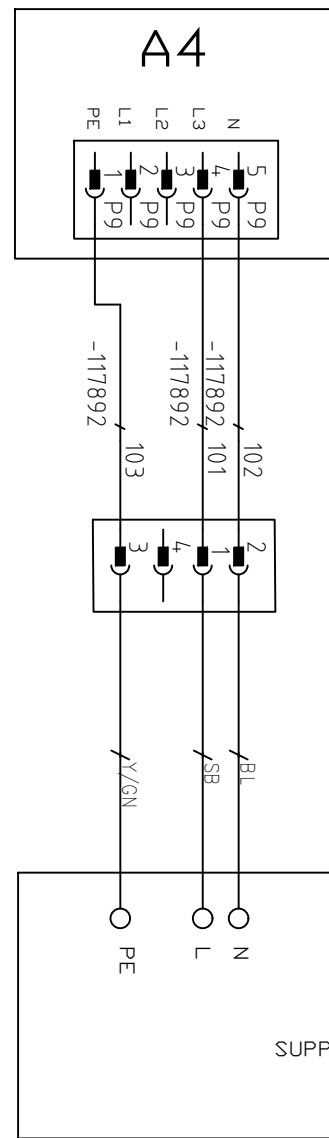
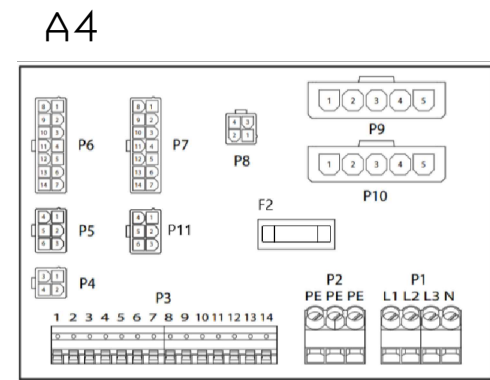
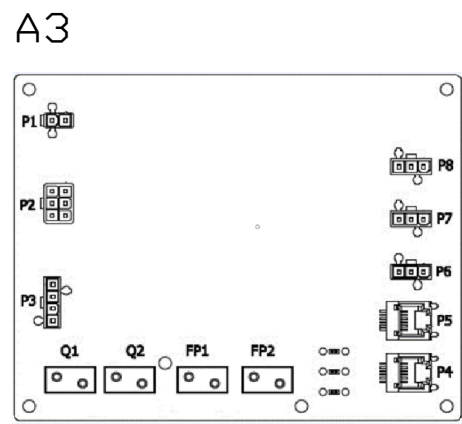
DRAWING UPDATED 221018 Rydkri

No. Unit	Pos. No.	Name, type, dim.	Drawing no. Standard	Art. No.	Matr. Spec.
Date	2021-05-26	Drawn Rydkri	Projection 	Scale	
Checked		Appr.			
POWER DISTRIBUTION BOARD				Replaces:	Replaced by:
A4					
ProNordic S100-S260				342363	

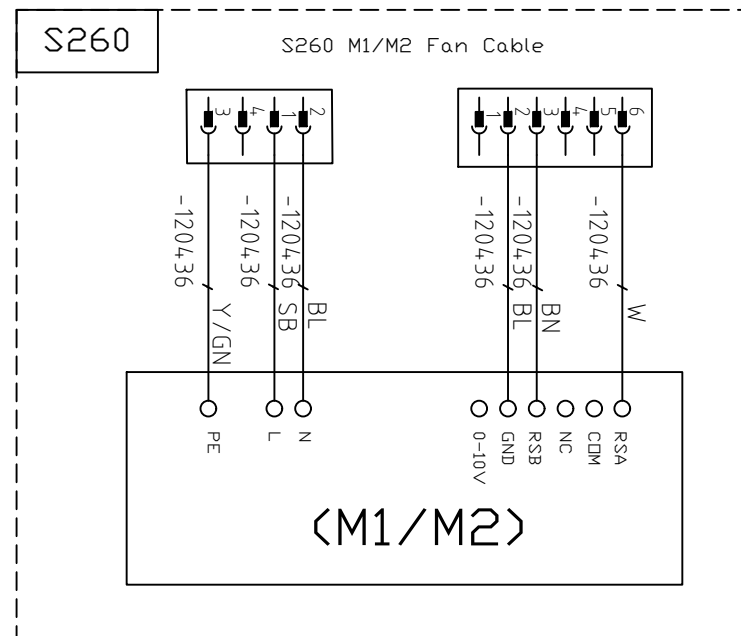
* -W

ProNordic	Art.no
S100-S220	-112160
S240-S260	-112939



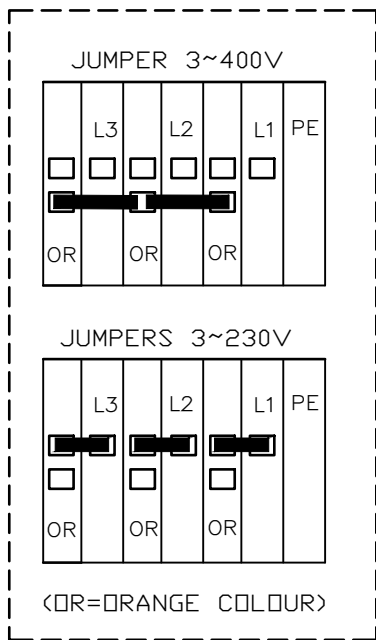
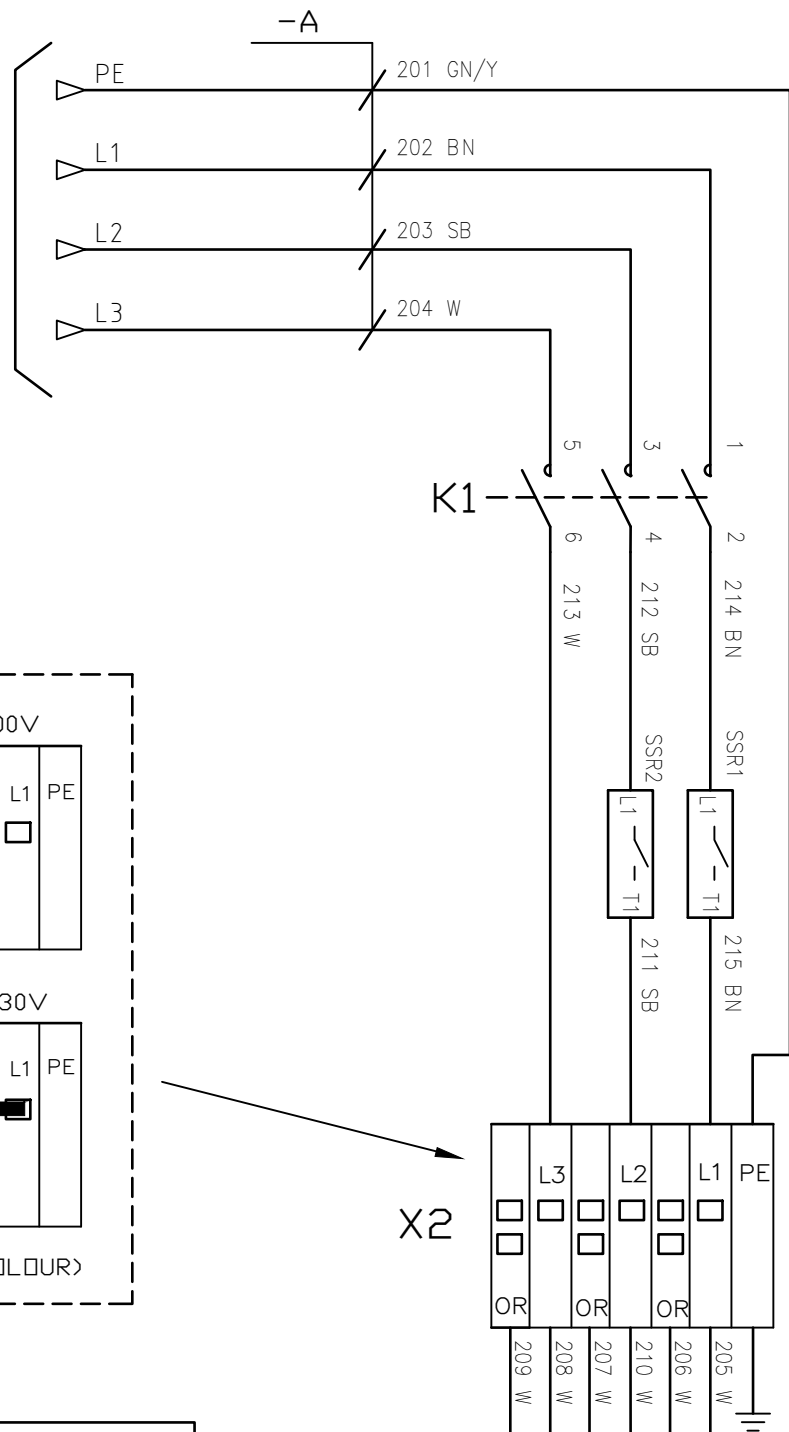


DESIGNATION	S100/S140/S180	S220/S240	S260
M1	500W	750W	1500W
M2	500W	750W	1500W
HR-R(M4)	40W	40W	40W



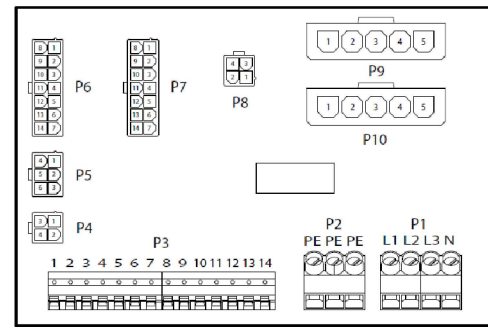
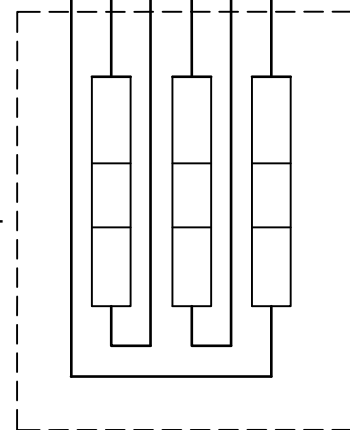
5 DRAWING UPDATED 221018/Rydkri 4 DRAWING UPDATED 220225/Rydkri Changes Date/Sign.	No. Unit	Pos. No.	Name, type, dim.	Drawing no. Standard	Art. No.	Matr. Spec.
	Date	2021-05-26	Drawn	Rydkri	Projection	Scale
	Checked		Appr.			
	FANS + ROTOR M1, M2 AND HR-R ProNordic S100-S260					
					342365	

FROM X1
DWG.NO 342363
ALT. 342373



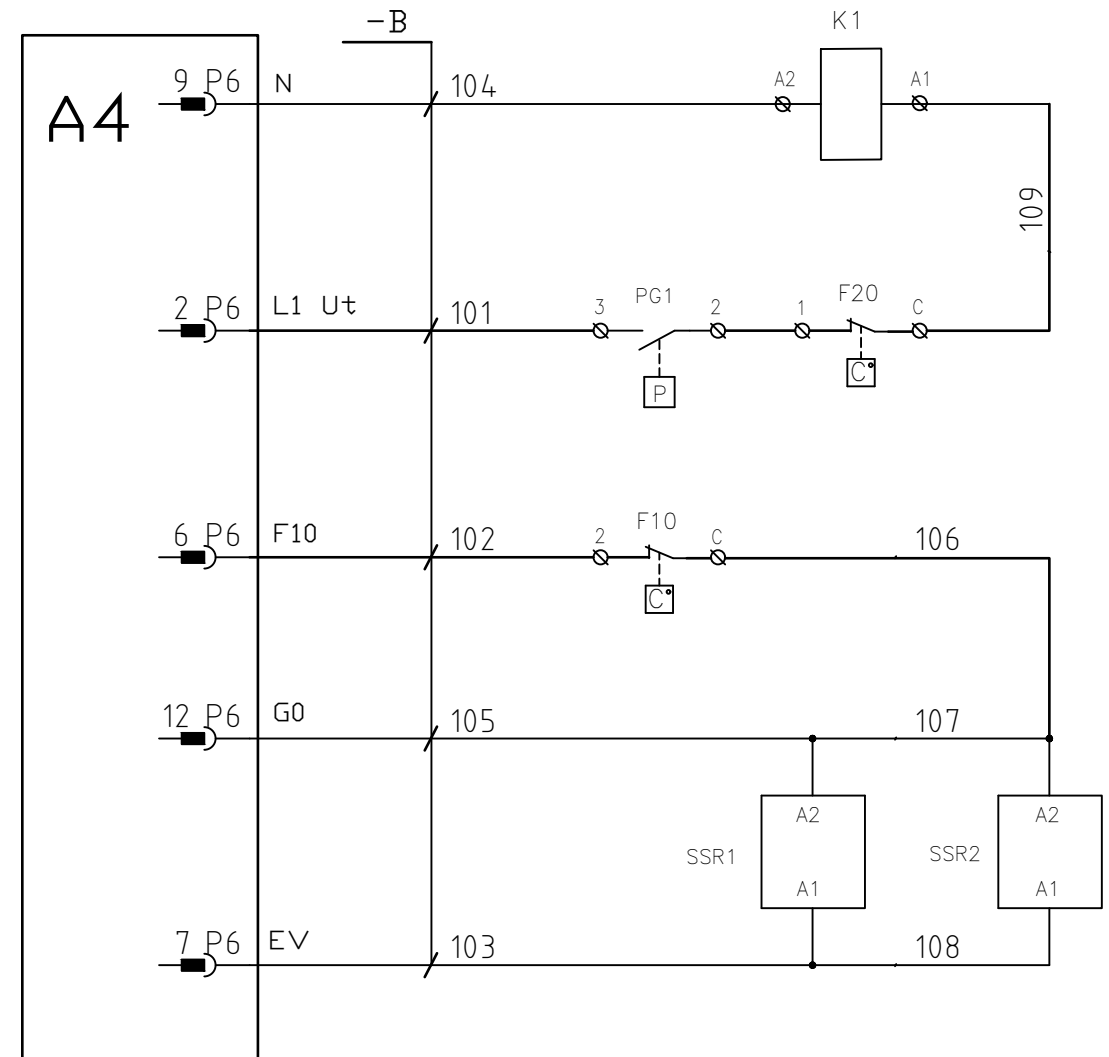
HEATING POWER EB1	
UNIT MODEL	POWER
S100	3x1200W
S140	3x1200W
S180	3x1600W
S220	3x2200W
S240	3x3600W
S260	3x3600W
L110	3x1600W
L150	3x1600W
L190	3x2200W
L230	3x3600W
L270	3x3600W

EB1



COLOUR ABBREVIATIONS

BLACK	WHITE	RED	BLUE	YELLOW	GREEN	GREY	BROWN	ORANGE	PINK	VIOLET
SB	W	R	BL	Y	GN	GR	BN	OR	P	VO



UNIT MODEL	ELECTRIC HARNESS ART.NO	
	-A	-B
S100-S220	112161	112160
S240-S260	112907	112939
L110-L190	112161	112160
L230-L270	112907	112939

7 Rev. Drawing Updated 220916 Rydkri Date/Sign.

No. Unit	Pos. No.	Name, type, dim.	Drawing no. Standard	Art. No.	Matr. Spec.
Date	2021-05-26	Drawn Rydkri	Projection	Scale	
Checked		Appr.			
ELECTRIC HEATER EB1			Replaces:		
ProNordic S100-S260/L110-L270			342366		

DESCRIPTION	NO	EN	SV	DA	FI
A1	Regulator	Regulator	Regulator	Styresystem	Ohjausjärjestelmä
A2	Koblingskort	Connection board	Anslutningskort	Klemmekort	Riviliitinkortti
A3	Modbusextender	Modbus extender	Modbusextender	Modbusextender	Modbus-laajennin
A4	Strømforsyningskort	Power supply board	Strømforsøringskort	Strømforsyningskort	Virransyöttökortti
A5	Styresignaler til rotor	Rotor controller	Rotorstyrning	Styresignaler til rotor	Roottorin ja lämpötila
B1	Temperaturføler, tilluft	Temperature sensor, supply air	Temperaturgivare, tilluft	Temperaturføler, indsugningsluft	Tuloilma-anturi
B3	Temperaturføler, avtrekk	Temperature sensor, extract air	Temperaturgivare, frånluft	Temperaturføler, udsugning	Lämpötila-anturi, poistoilma
B4	Temperaturføler, uteluft	Temperature sensor, outdoor air	Temperaturgivare, uteluft	Temperaturføler, udeluft	Lämpötila-anturi, ulkoilma
B5	Returvannsføler vannbatteri	Returnwater sensor, water battery	Returvattengivare, vattenbatteri	Temperaturføler, vandvarmevlade	Lämpötila-anturi, vesipatteri
DA1	Avkastspjeld	Exhaust air damper	Avluftsspjäll	Spjæld, udsugningsluft	Sulkupelti, poistoilma
DA2	Uteluftspjeld	Outdoor air damper	Uteluftsspjäll	Spjæld, udeluft	Sulkupelti, ulkoilma
EB1	Ettervarmebatteri, elektrisk	Heating battery, electrical	Eftervarmebatteri, elektrisk	Eftervarmevlade, elektrisk	Lämmityspatteri, sähkö
F1	Sikring	Fuse	Säkring	Sikring	Sulake
F10	Overopphetningstermostat EB1 Manuell reset	Thermostat overheating EB1 Manual reset	Överhettningstermostat EB1 Manuell återställning	Overophedningstermostat EB1 Manuel resetfunktion	Yliämpötermostaatti EB1 Manuaalinen nollaus
F20	Overhetningstermostat EB1 Automatisk reset	Thermostat overheating EB1 Automatic reset	Överhettningstermostat EB1 Automatisk återställning	Overophedningstermostat EB1 Automatisk reset	Termostaatti EB1 Automaattinen nollaus
M1	Tilluftsvifte	Supply air fan	Tilluftsflykt	Indsugningsventilator	Tuloilmapuhallin
M2	Avtrekksvifte	Extract air fan	Frånluftsflykt	Udsugningsventilator	Poistoilmapuhallin
M4	Rotormotor	Rotor motor	Rotormotor	Rotormotor	LTO-kiekon mootori
PG1	Trykkvakt, EB1	Pressure Guard, EB1	Trykkvakt, EB1	Pressostat, EB1	Paine-eroanturi, EB1
P10	Rotorvakt	Rotation detector	Rotationsvakt	Rotations detektor	Pyöritys ilmaisin
S1	Styrepanel	Control panel	Styrpanel	Styrepanel	Ohjauspaneeli
ST1	Transformator	Transformer	Transformator	Transformator	Muuntaja
WB1	Ettervarmebatteri, vann	Heating battery, water based	Eftervarmebatteri, vatten	Eftervarmevlade, vand	Lämmityspatteri, vesi
HR-R	Rotor	Rotor	Rotor	Rotor	Roottorin
F2	Sikring, kretskort	Fuse, printed circuit boards	Säkring, kretskort	Sikring, printkort	Sulake, piirilevy
K1	Kontaktor, EB1	Contactactor, EB1	Kontaktor, EB1	Kontaktor, EB1	Kontaktori, EB1
SSR1, SSR2	Halvlederrelé, EB1	Solid state relay, EB1	Halvlederrelä, EB1	Halvlederrelæ, EB1	Puolijohderele, EB1
X1	Rekkeklemme, forsyning	Connector, supply voltage	Anslutningsplint, matning	Rækkeklemmer indgående forsyning	Riviliittimet – sisääntulevaa syöttöä varten
X2	Rekkeklemme, EB1	Connector terminal, EB1	Anslutningsplint, EB1	Rækkeklemmer, EB1	Riviliittimet, EB1
X100	ISDN skjøtekontakt	RJ45 contact	RJ45 skarvkontakt	RJ45-samlemuffe	RJ45-liitäntä
X101	RJ12 skjøtekontakt	RJ12 contact	RJ12 skarvkontakt	RJ12-samlemuffe	RJ12-liitäntä
X102	Skjøtekontakt	Contact	Skarvkontakt	Samlemuffe	Liitäntä
E1, E2	EMC-filter	EMC filter	EMC-filter	EMC-filter	EMC-suodatin
RL1	Relé	Relay	Relä	Relæ	Rele
PS1	24V DC strømforsyning	24V DC power supply	24V DC nätaggreat	24V DC strømforsyning	24 V DC virtalähde
C1	Kondensator	Capacitor	Kondensator	Kondensator	Kondensaattori
CP1	Kondensatorpakke	Capacitor pack	Kondensator	Kondensatorpakke	Kondensaattoripaketti