

ProNordic

ART.NO. 113433,112659,112278,112881,113611,113068,113187,113017


EN


INSTALLATION INSTRUCTIONS


Heating battery water



A document with more information about the ventilation unit and accessories such as valves and valve motors is supplied with each product or can be downloaded from Flexit's website: www.flexit.com



Login  Two keys means that you need to be logged in at level 3 to be able to make changes. The password for this level is 2000.




See the main manual for the regulator for more information about logging in and different levels.

Our products are subject to continuous development and we therefore reserve the right to make changes. We also disclaim liability for any printing errors that may occur.


Contents

1. Overview water heating battery	6
2. Preparatory work	7
2.1. Recommended connection.....	7
2.2. Technical data for water heating batteries.....	8
2.3. Suitable valve types (accessory).....	8
2.3.1. 3-way valve.....	8
2.3.2. 2-way valve.....	8
2.4. Suitable valve motor (accessory).....	9
2.4.1. Connections	10
3. Installation S100R, S140R, S180R, S220R.....	11
3.1. Items included.....	11
4. Installation S260R.....	14
4.1. Items included.....	14
5. Installation L110R, L150R, L190R, L230R, L270R.....	17
5.1. Items included.....	17
6. Installation L310R, L350R, S300R, S340R.....	22
6.1. Items included.....	22


Symbols




DANGER! When a text box is this colour, it means that a life-threatening or serious personal injury may be the consequence of not following the instructions.



NOTICE! When a text box is this colour, it means that a poor utilisation ratio or product operating issues may be the consequence of not following the instructions.



CAUTION! When a text box is this colour, it means that material damage may be the consequence of not following the instructions.



INFO! When a text box is this colour, it means that it contains important information.



SAFETY INSTRUCTION



- To avoid the risk of fire, electric shock or injury, read all the safety instructions and warning texts before using the unit.
- All electrical connections must be carried out by qualified electricians.
- If the power lead is damaged, it must be replaced by the manufacturer, the manufacturer's service agent or a similarly qualified person.
- The unit must not be used to extract combustible or flammable gases.
- It is the installer's responsibility to carry out a full safety and function assessment of the appliance.
- All electrical power to the unit must be shut off before carrying out service or maintenance, including cleaning:
 1. Switch off the unit in the following menu on the handheld terminal:
'Start page > SWITCHOVER SERVICE > OFF'
 2. Wait until the unit has stopped.
 3. Switch off the all-pole switch.







- This unit is only designed for ventilation air in homes and commercial buildings.
- To maintain a good indoor climate, comply with regulations and avoid condensation damage, the unit must never be stopped apart from during service/ maintenance or in connection with an accident.
- The unit must not be operated without the filters being in place.
- All plumbing work must be carried out by an authorised plumber.
- The location of the water battery must be approved by a plumber owing to the risk of water leaks.
- Check whether the unit's operating voltage is 400V or 230V.
- The electric battery must be configured in accordance with the operating voltage.

1. Overview water heating battery

Unit	Art.no. water heating battery
S100R	113433
S140R	113433
S180R	112659
S220R	112278
S240R	112881
S260R	112881
S300R	113611
S340R	113611

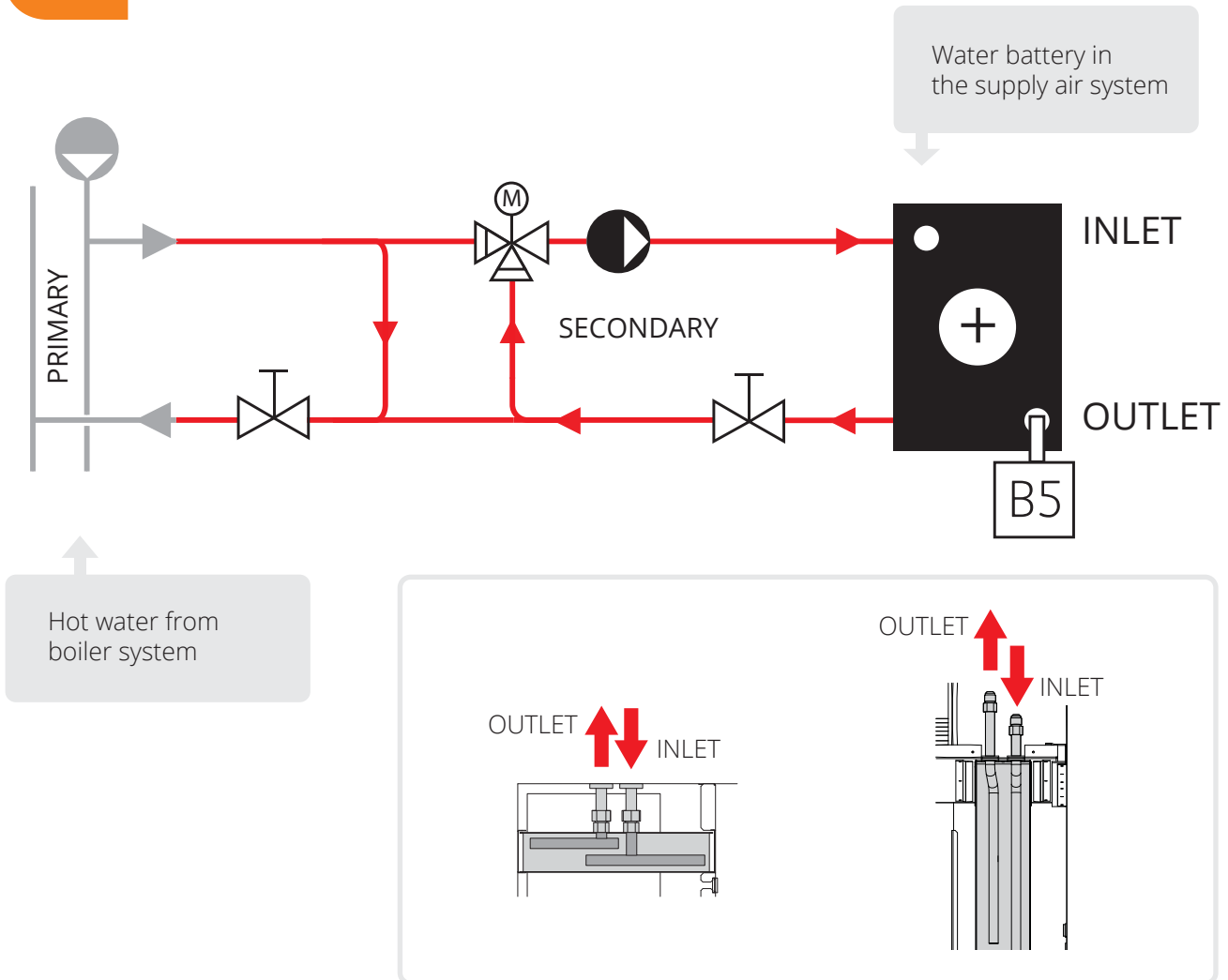
L110R	113068
L150R	113068
L190R	113187
L230R	110317
L270R	113017
L310R	113611
L350R	113611

2. Preparatory work

Symbols	
	2/3-way valve
	Choker valve
	Pump
	Return water sensor water battery

2.1. Recommended connection

CAUTION! All plumbing work must be carried out by an authorised plumber.



2.2. Technical data for water heating batteries

Unit	Water battery connection	Pipe connection
S100R	R 3/4"	cu Ø12 / cu D12
S140R	R 3/4"	cu Ø12 / cu D12
S180R	R 3/4"	cu Ø18 / cu D18
S220R	R 3/4"	cu Ø18 / cu D18
S240R	R 3/4"	cu Ø16 / cu D16
S260R	R 3/4"	cu Ø16 / cu D16
S300R	R 3/4"	cu Ø18 / cu D18
S340R	R 3/4"	cu Ø18 / cu D18

L110R	R 3/4"	cu Ø12 / cu D12
L150R	R 3/4"	cu Ø12 / cu D12
L190R	R 3/4"	cu Ø12 / cu D12
L230R	R 3/4"	cu Ø18 / cu D18
L270R	R 3/4"	cu Ø18 / cu D18
L310R	R 3/4"	cu Ø18 / cu D18
L350R	R 3/4"	cu Ø18 / cu D18

2.3. Suitable valve types (accessory)

2.3.1. 3-way valve

For capacity:

KVS	Art.no.
0,4 kvs	116482
1,0 kvs	116483
1,6 kvs	116484
2,5 kvs	116485
4,0 kvs	116486
6,3 kvs	117209
10,0 kvs	117860

2.3.2. 2-way valve

For capacity:

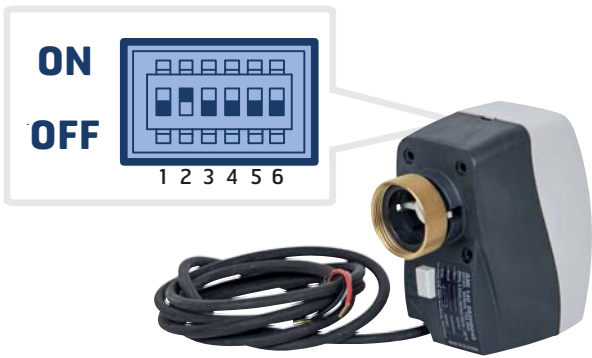
KVS	Art.no.
0,4 kvs	116487
1,0 kvs	116488
1,6 kvs	116489
2,5 kvs	116490
4,0 kvs	116491
6,3 kvs	117208
10,0 kvs	117859



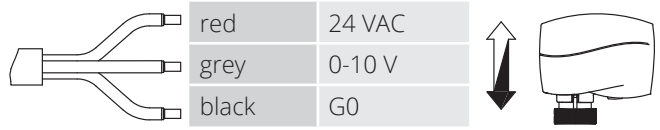
INFO! For more information, refer to the separate program for calculating technical data for water batteries (www.flexit.com).

2.4. Suitable valve motor (accessory)

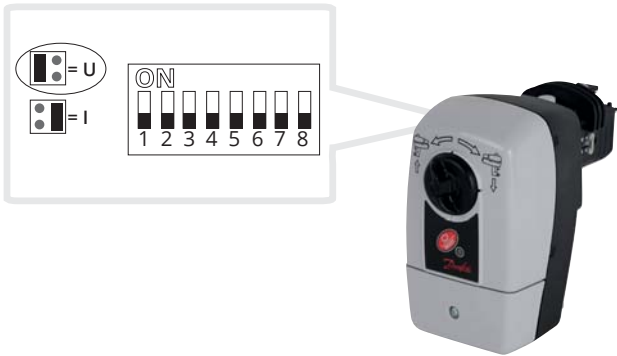
For valves KVS ≤ 4,0



Art.no. 116492



For valves KVS ≥ 6,3



Art.no. 117207

SP	24 VAC
SN	G0
Y	0-10 V

2.4.1. Connections



CAUTION! Before connecting a water battery, check that the inspection doors are accessible and that there is enough space to replace the water battery.

Use the recommended connection if not otherwise specified. The water supply must be at the bottom of the water battery - the return must be on the top.

Place the adjustment valve as close as possible to the unit. (Please note that many valve motors can run in both directions and this can be set on the motor. Set it so that the valve opens on an increasing 0-10 V signal.)



CAUTION! The water batteries cannot be vented as this serves no purpose. If the unit's water battery is the highest point in the circuit, a venting valve must be installed after the unit.

If you use a water battery that has not had glycol (or other antifreeze) added, then the unit should be located in a heated room due to the risk of frost affecting the battery. Install air dampers with spring-loaded return for outdoor air. Place the unit close to a drain to avoid damage caused by any water leaks.

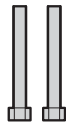
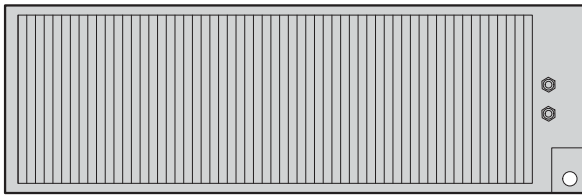
You can see the location of pipes out of the unit in the dimensioned drawings in the reference data section.



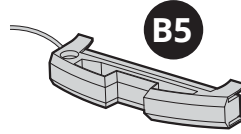
CAUTION! Install the water battery so that there is unrestricted access to the motor and recovery system. Pipe routes for water pipes: Remember vibration damping for water pipes.

3. Installation S100R, S140R, S180R, S220R

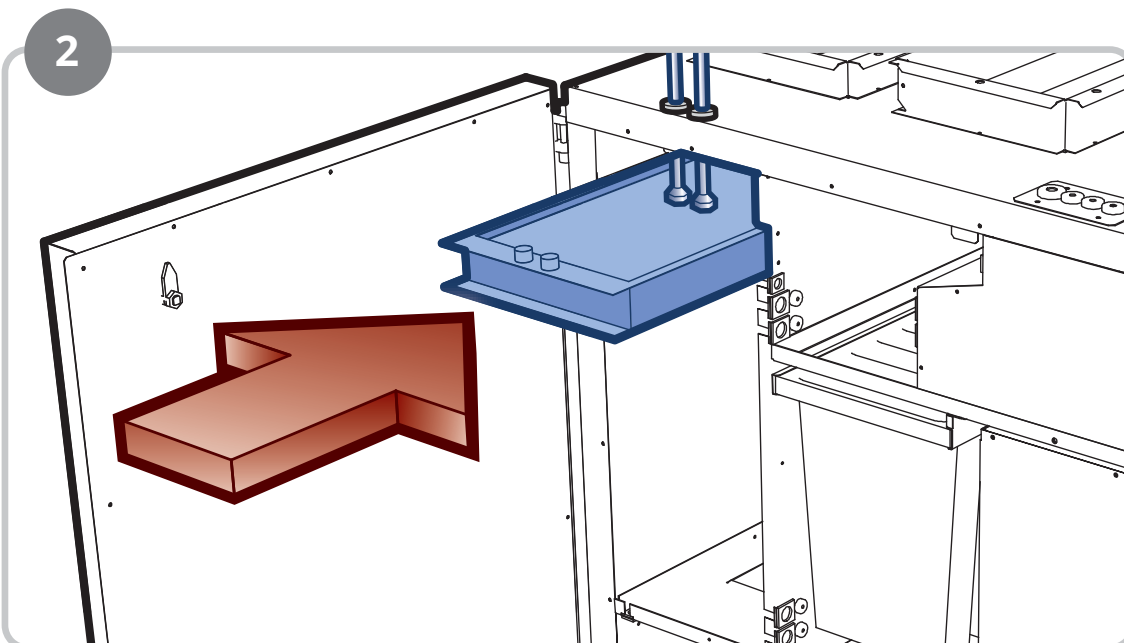
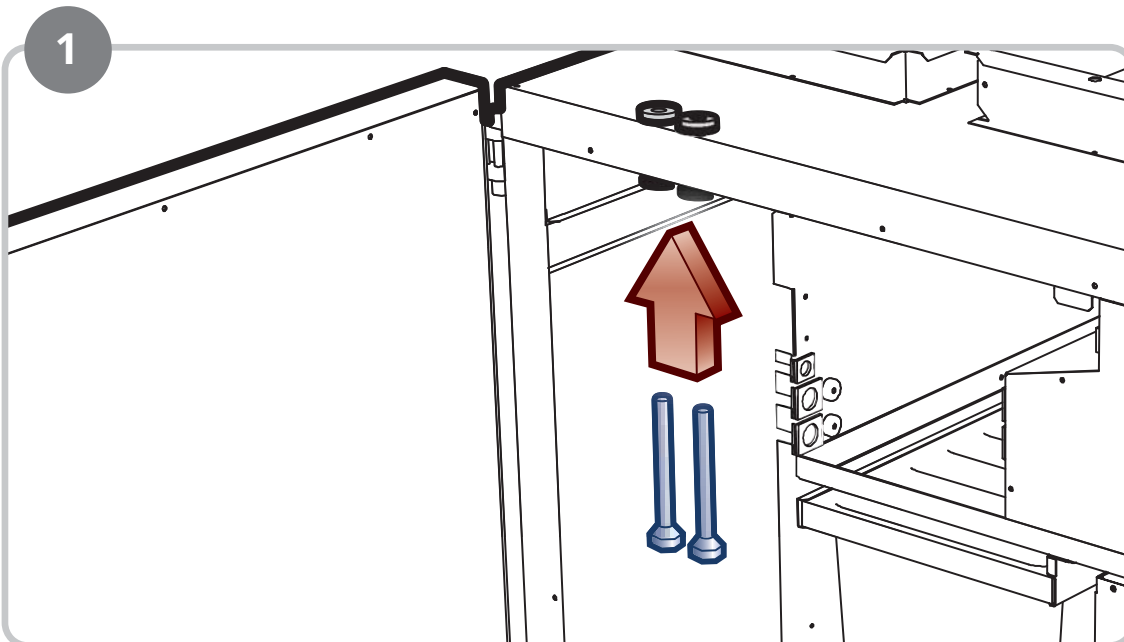
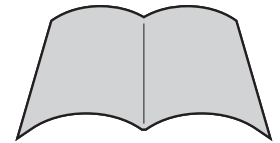
3.1. Items included



Ø12mm S100R, S140R
Ø18mm S180R, S220R



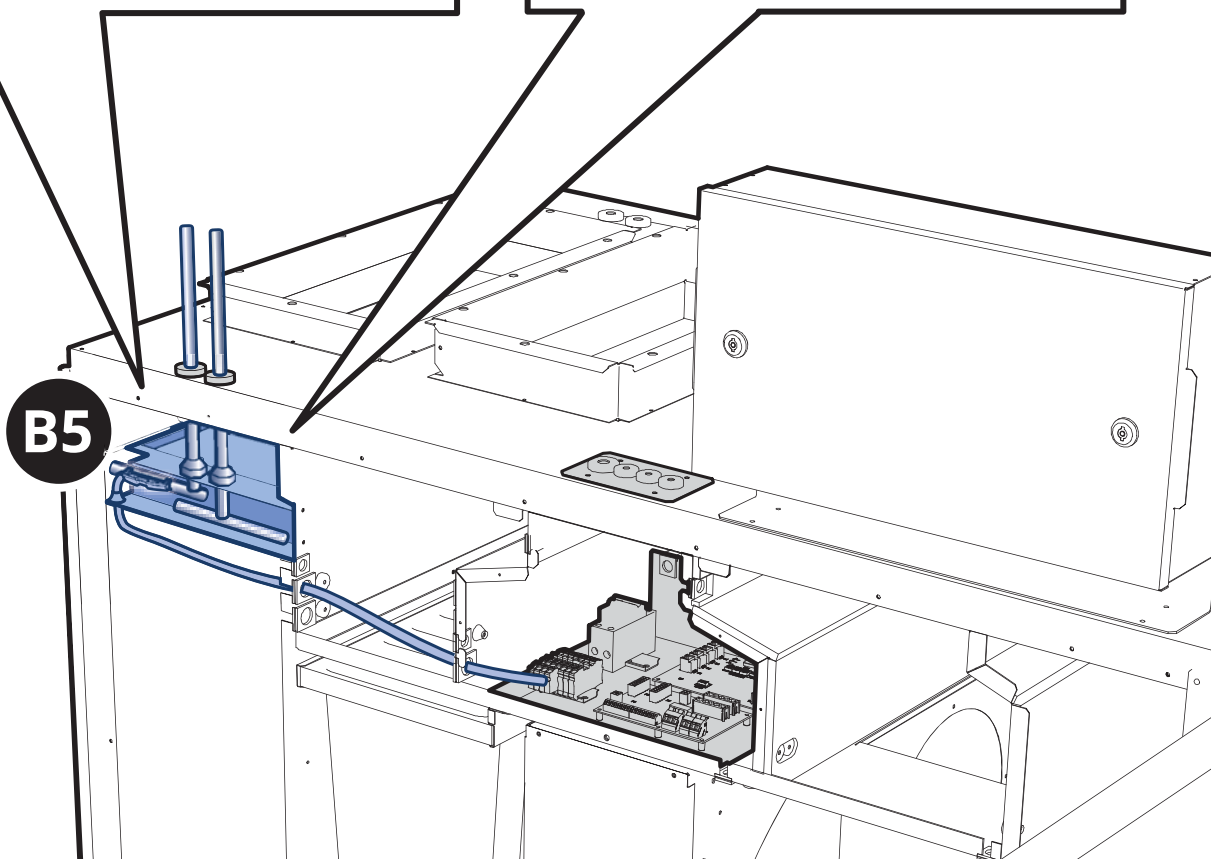
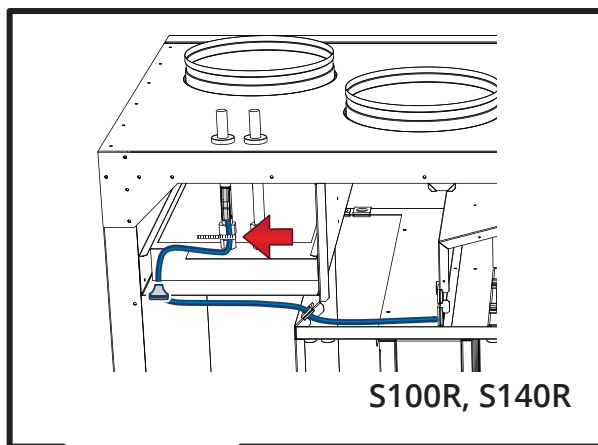
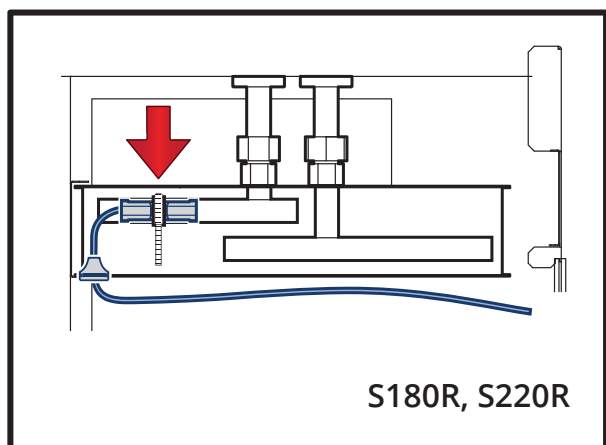
B5

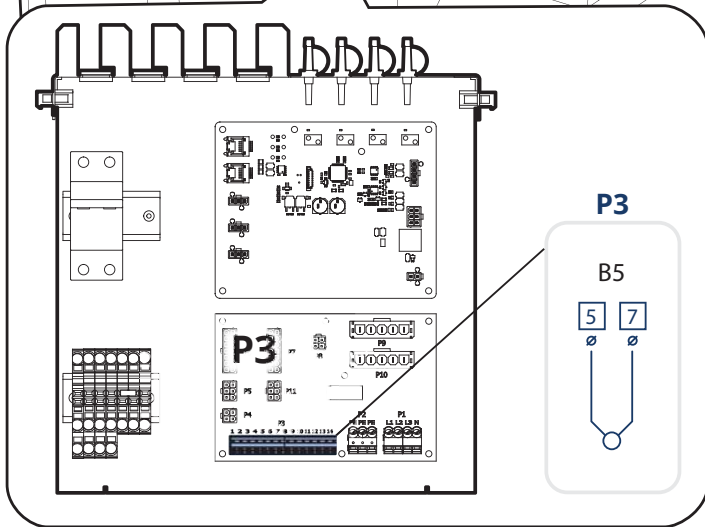
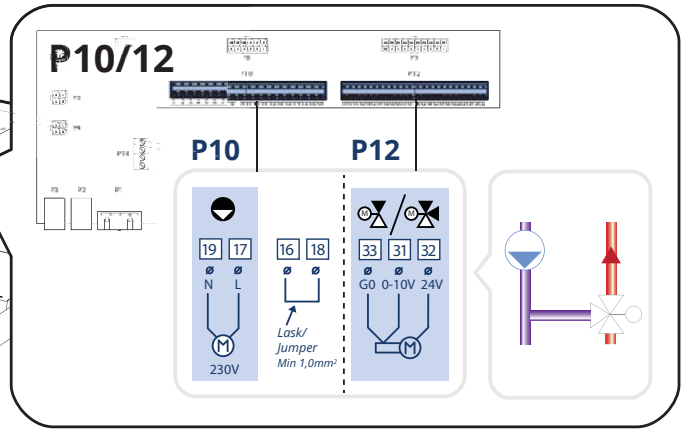
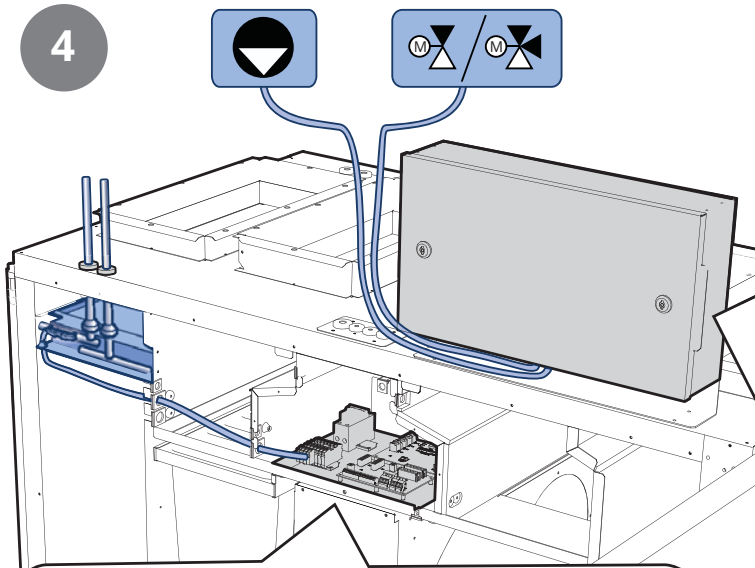


3



INFO! Frost sensor for return water (B5) fasten with zip tie.





INFO! Damper is connected to the control cabinet. Refer to wiring diagram 118109.

After the heating battery has been installed and the pump, return water sensor and valve motor have been connected, the heating battery must be activated in the automatic control system. This is done via:



Quick menu > Commissioning > Config. After heater > Type of heater

Parameter	Function
None	No heating battery installed
Water heating	Water heating battery installed
Electric heating	Electric heating battery installed

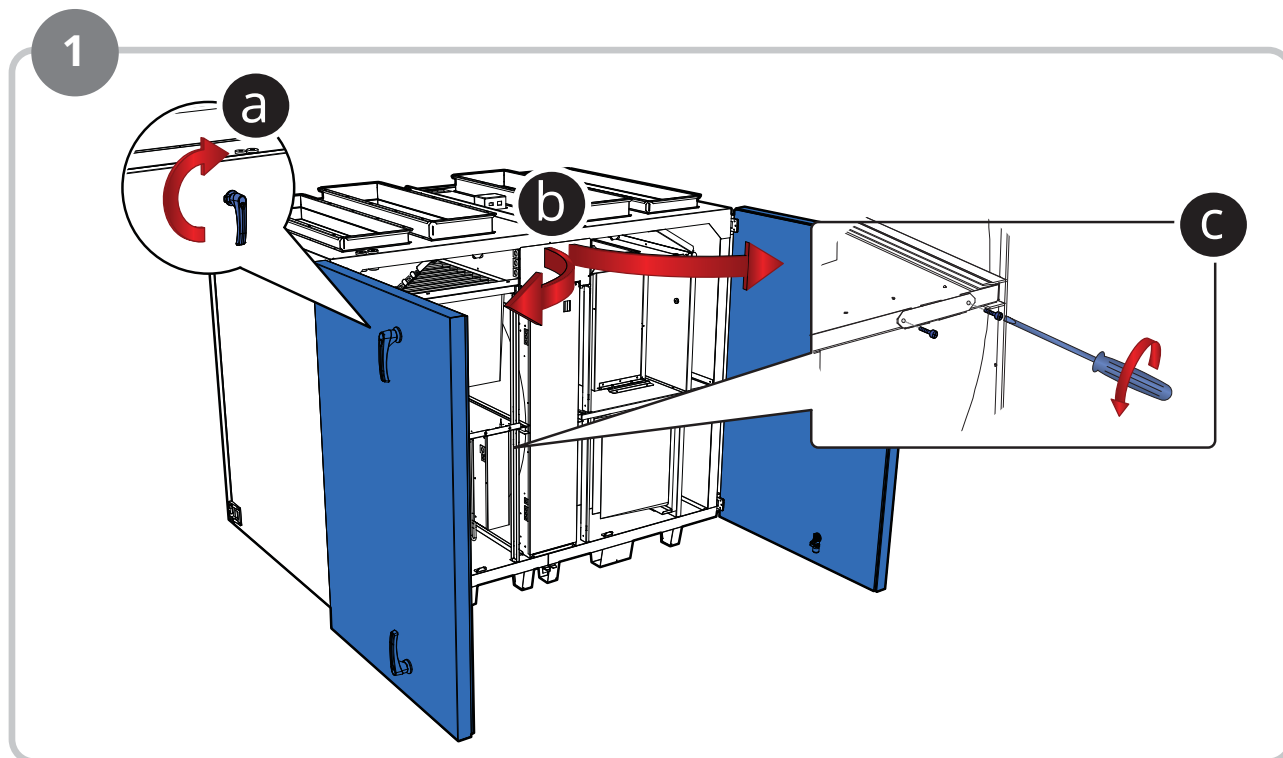
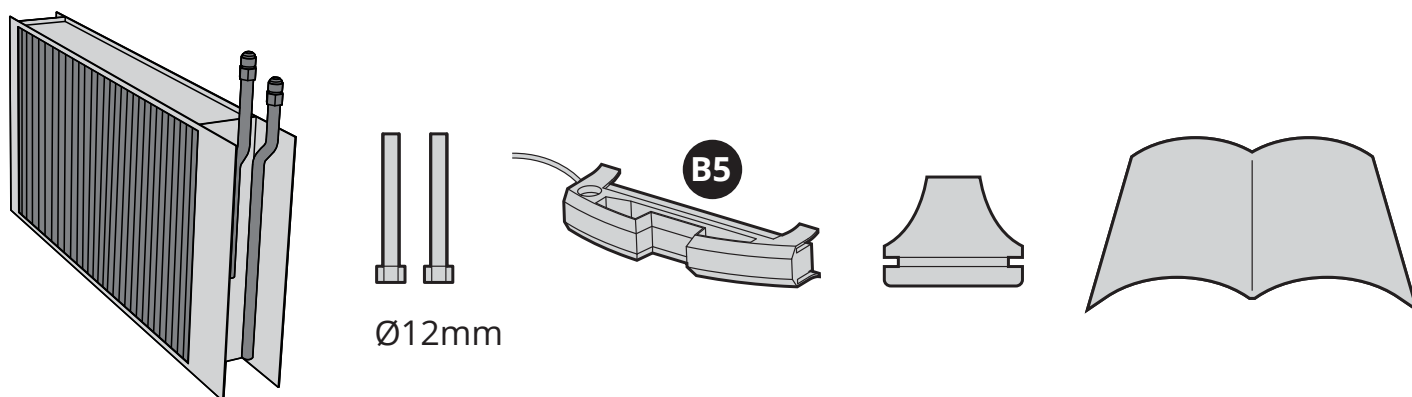
Select "Water" heating coil and then restart for the change to take effect.

Quick menu > Commissioning > Config. After heater > Restart required! > Execute

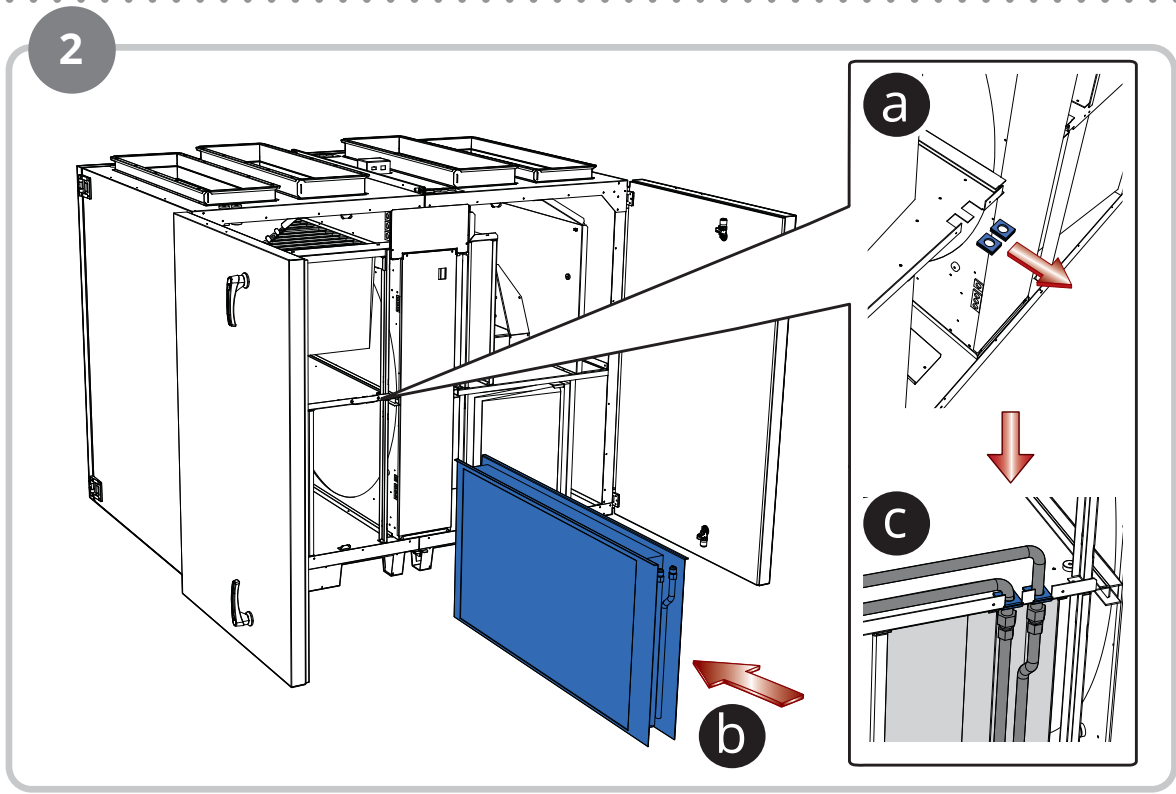


4. Installation S240R, S260R

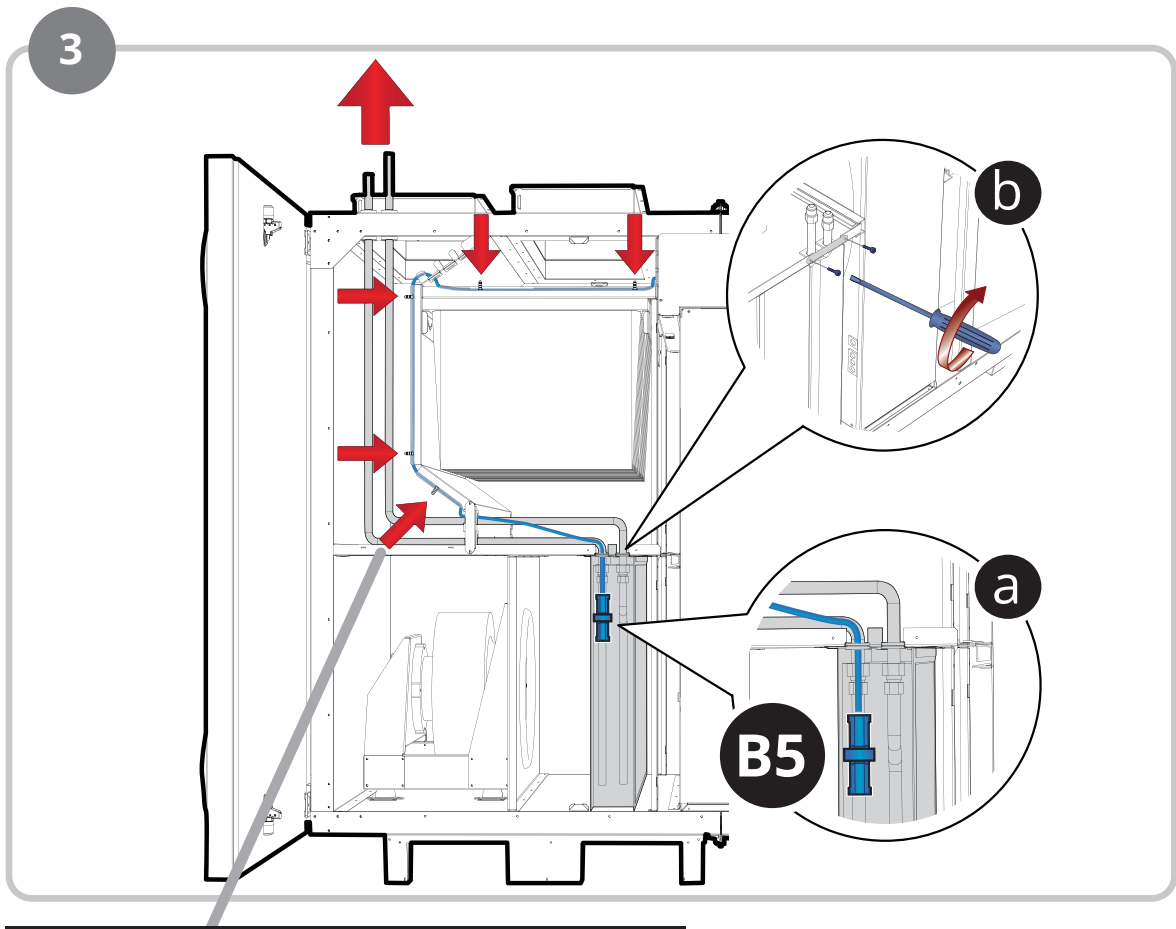
4.1. Items included



2

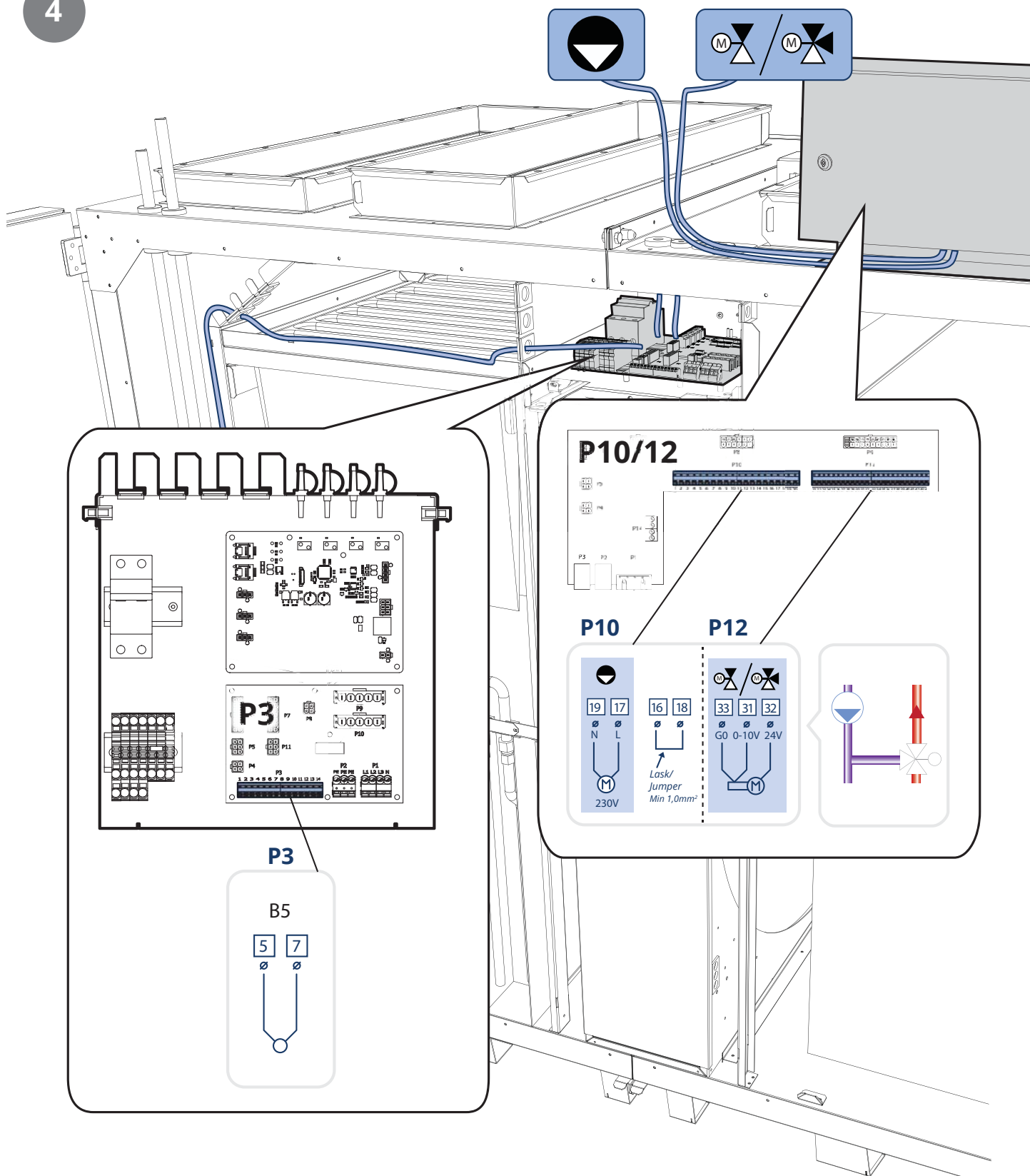


3



INFO! Frost sensor for return water (B5) fasten with zip tie.

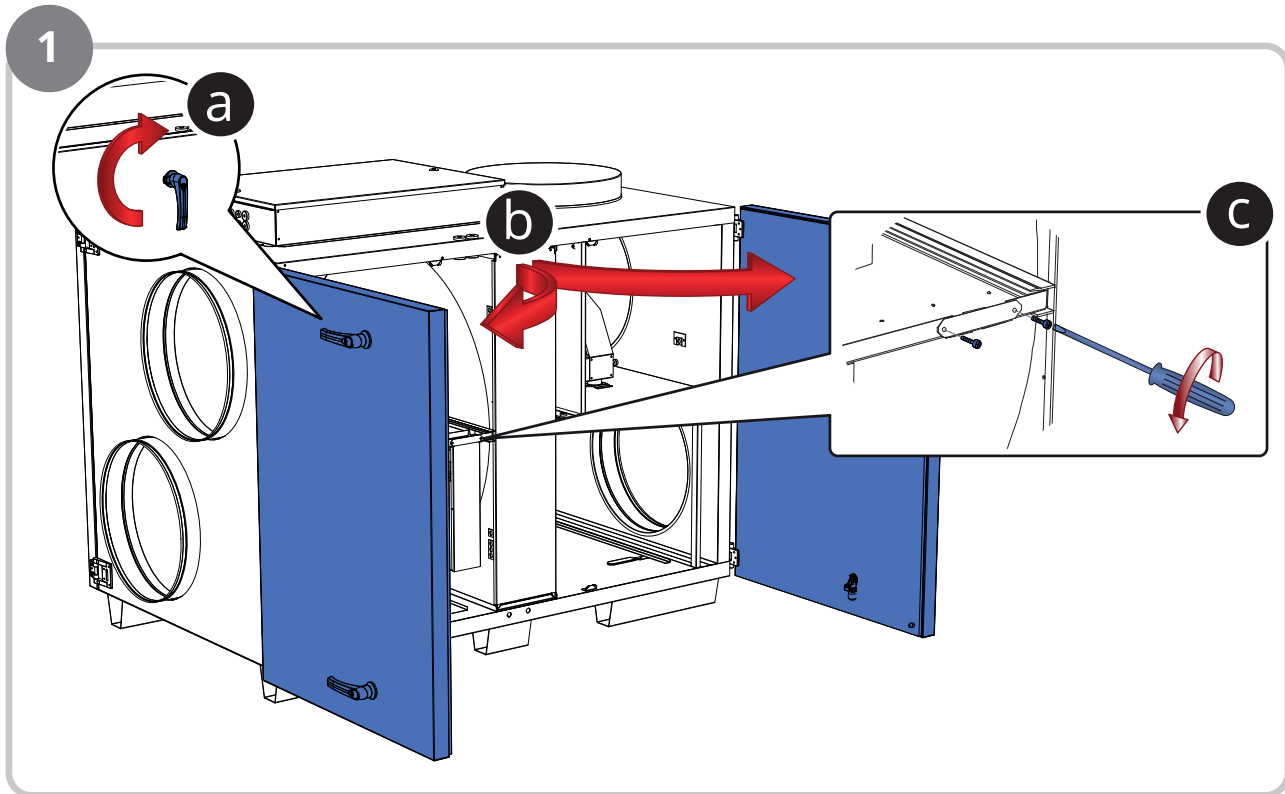
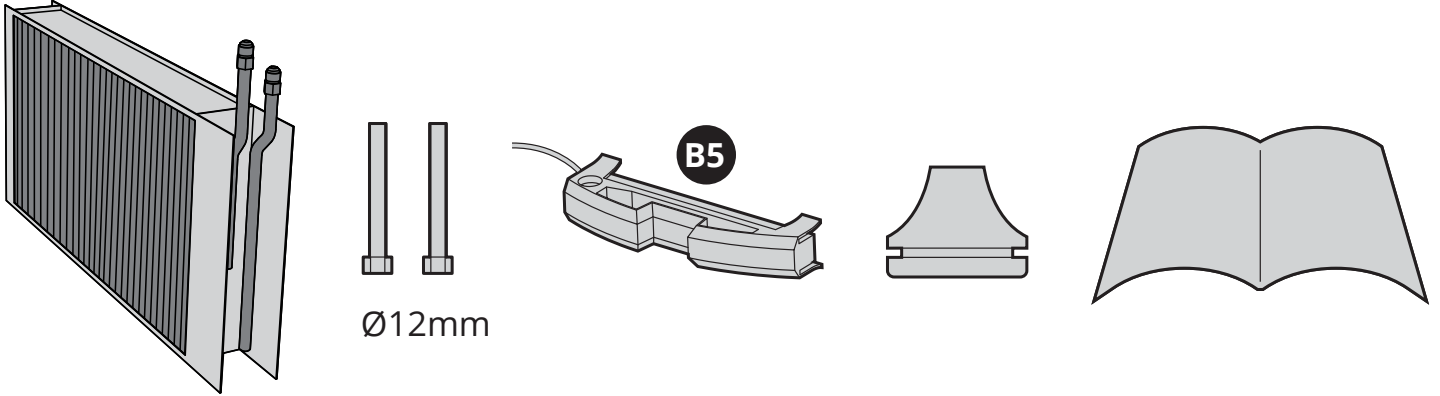
4



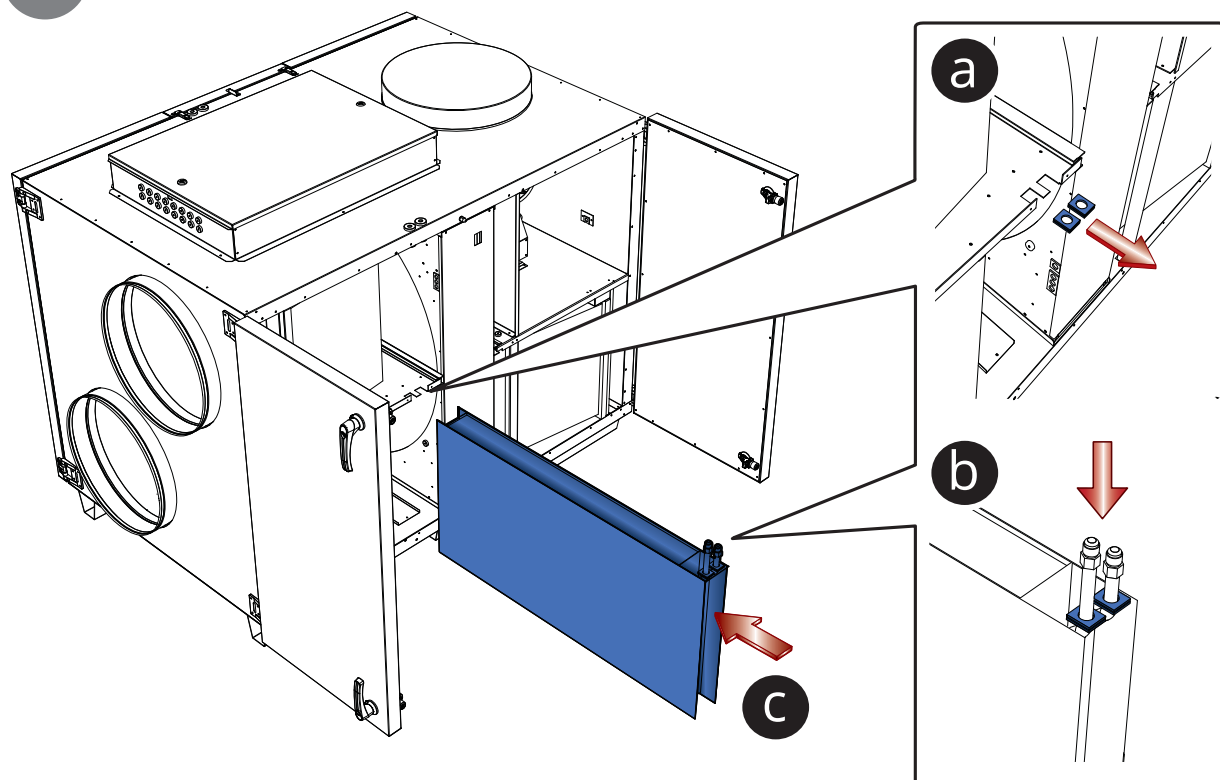
INFO! Damper is connected to the control cabinet. Refer to wiring diagram 118109.

5. Installation L110R, L150R, L190R, L230R, L270R

5.1. Items included



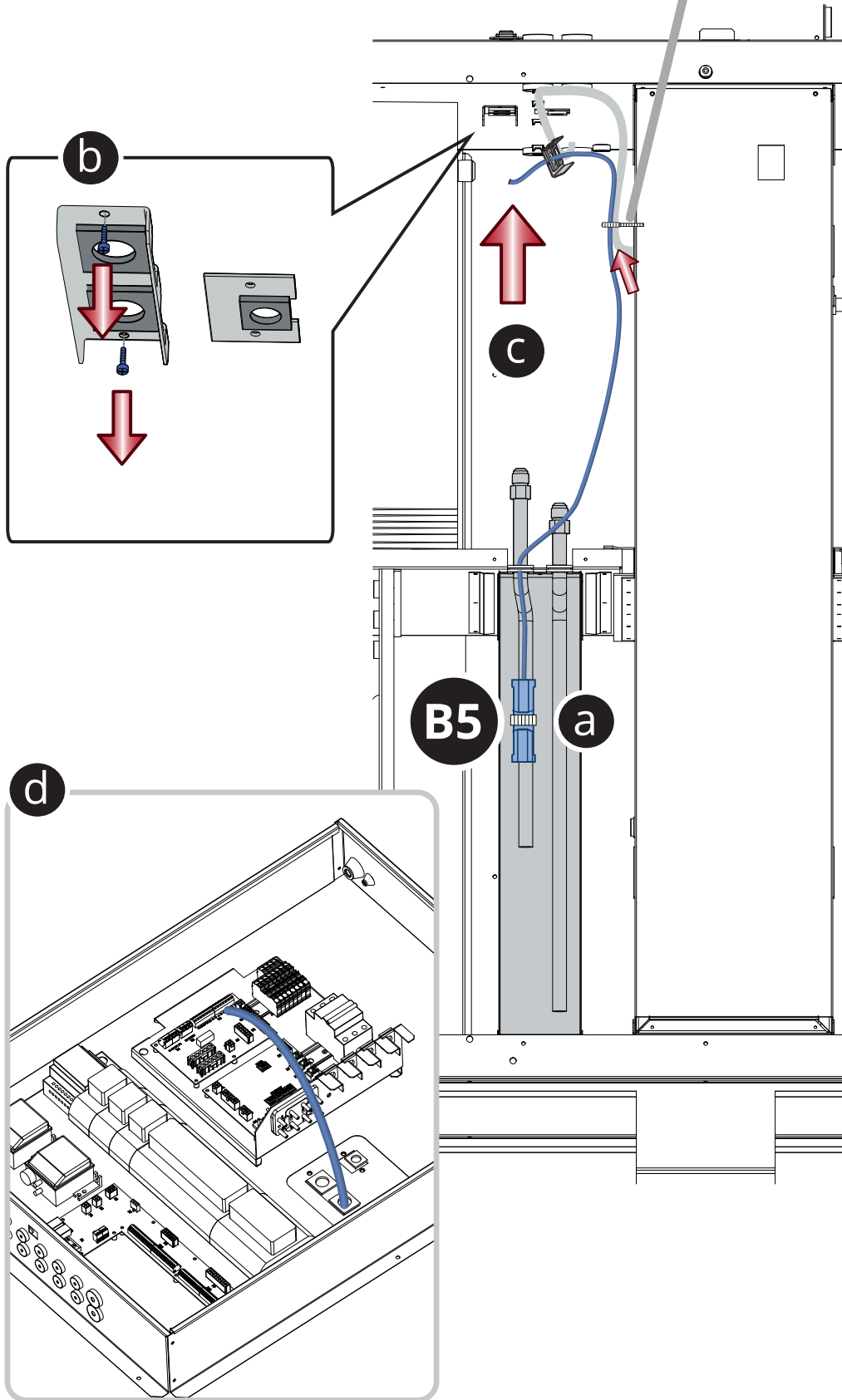
2

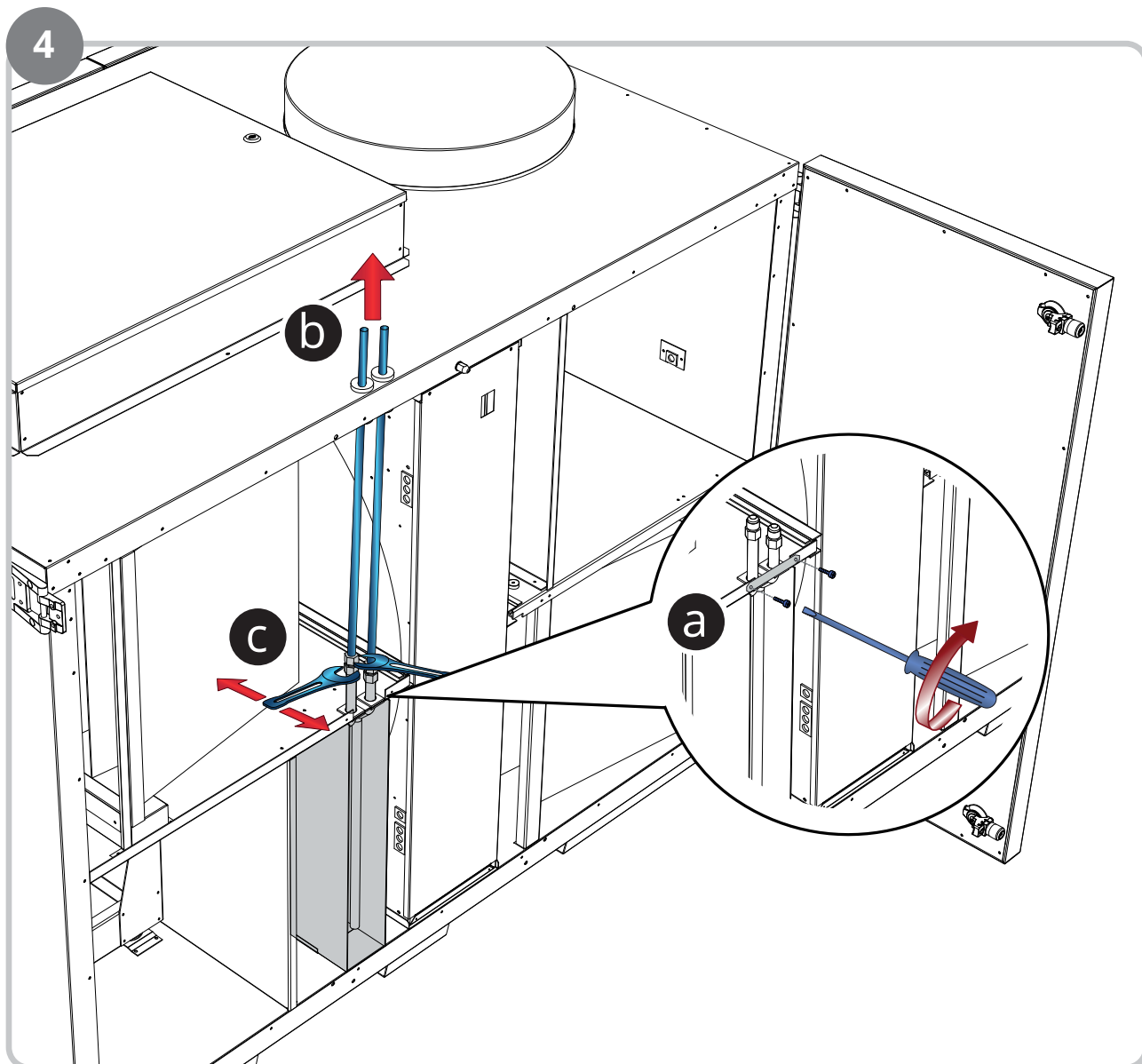


3

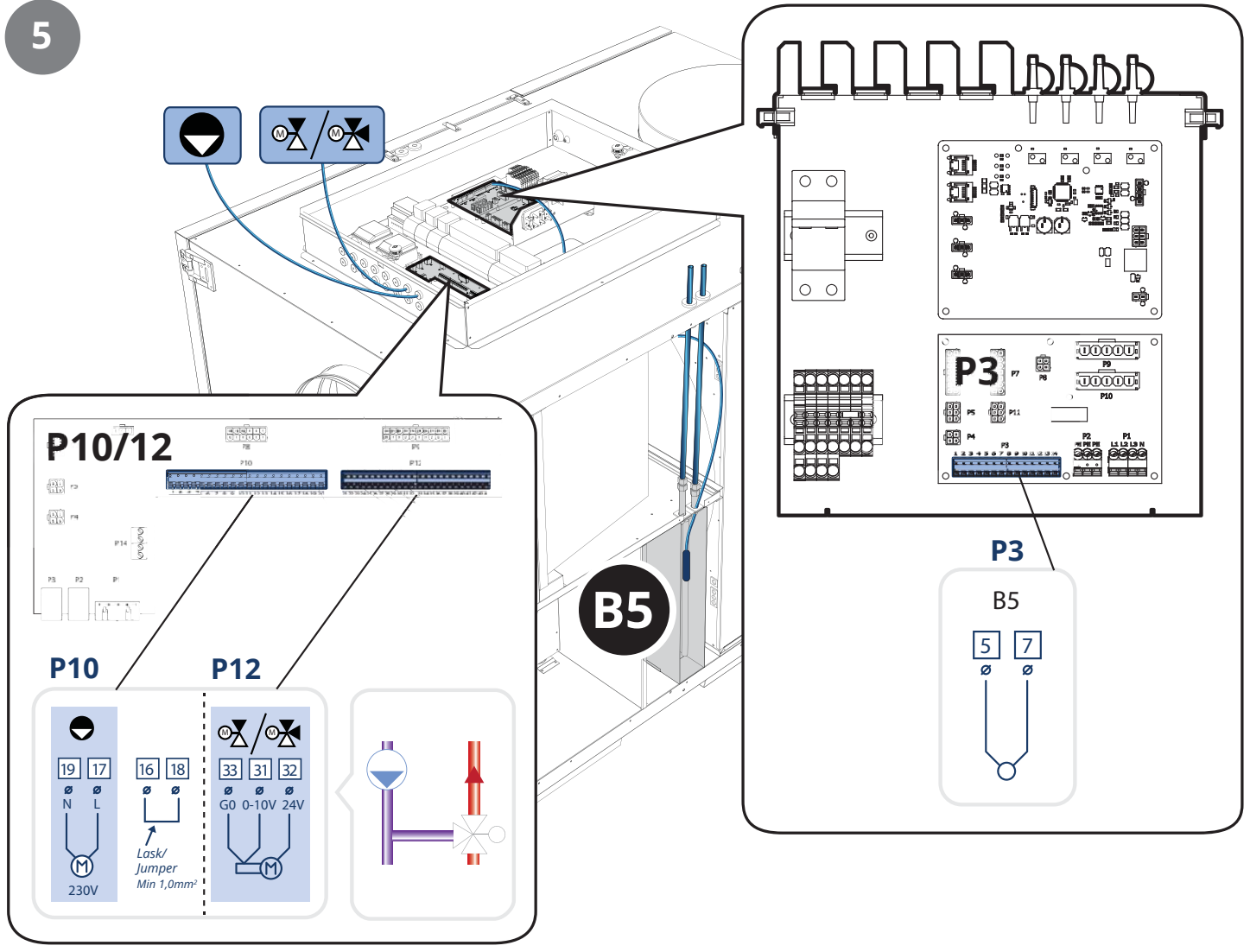


INFO! Frost sensor for return water (B5) fasten with zip tie.





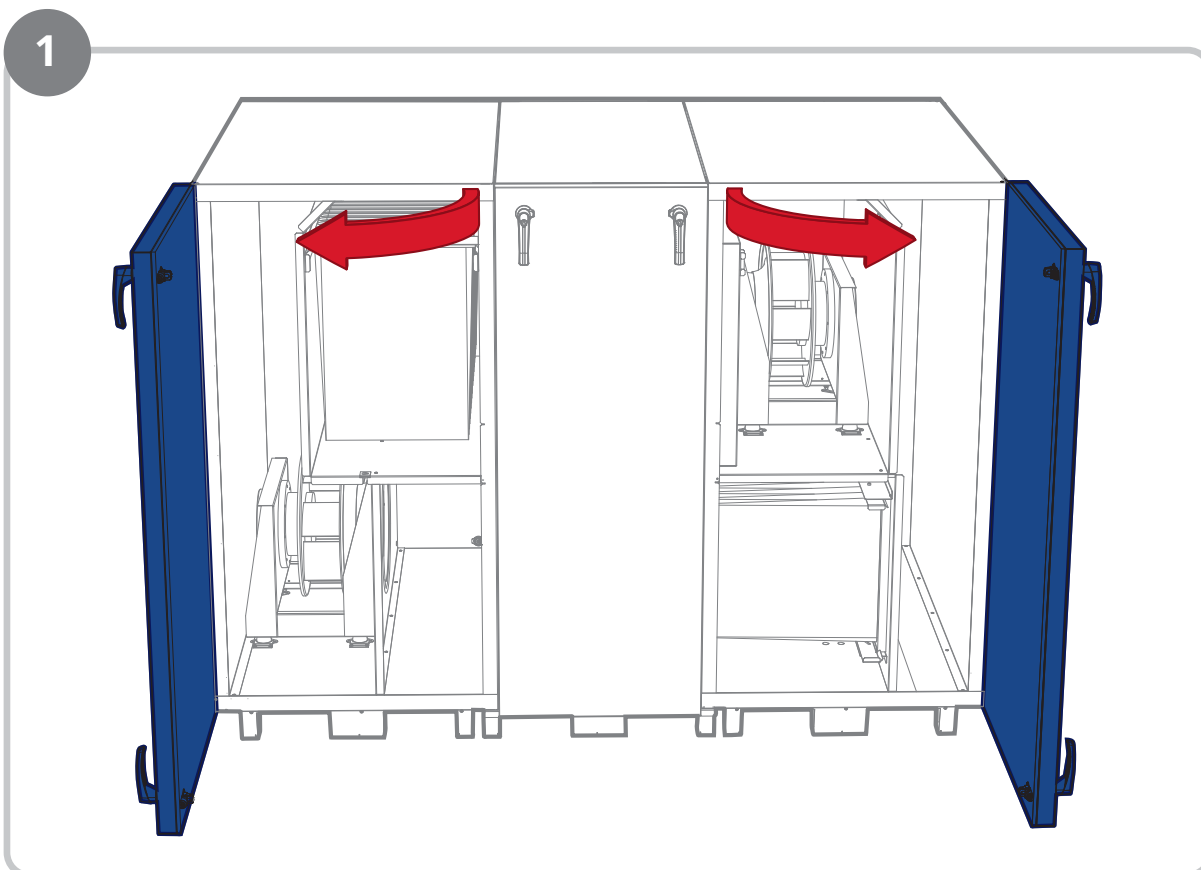
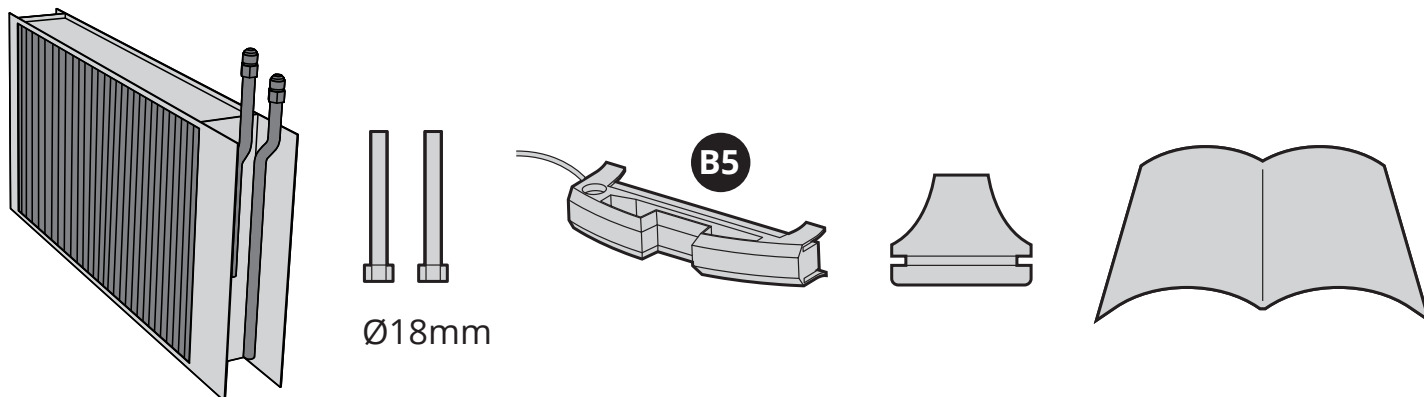
5



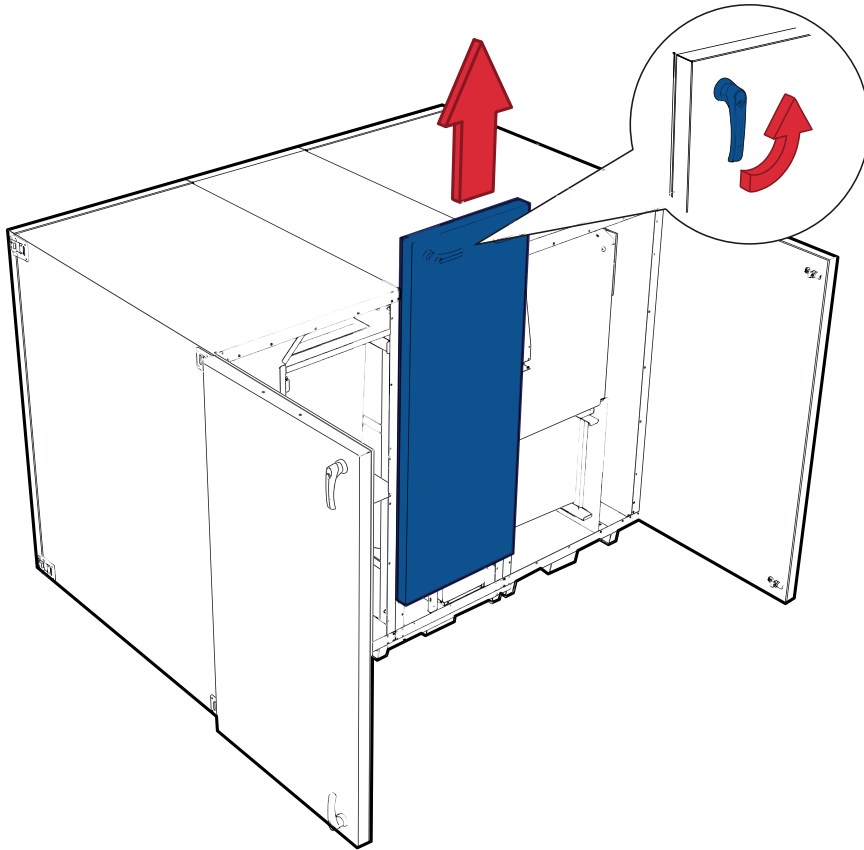
INFO! Damper is connected to the control cabinet. Refer to wiring diagram 118539.

6. Installation L310R, L350R, S300R, S340R

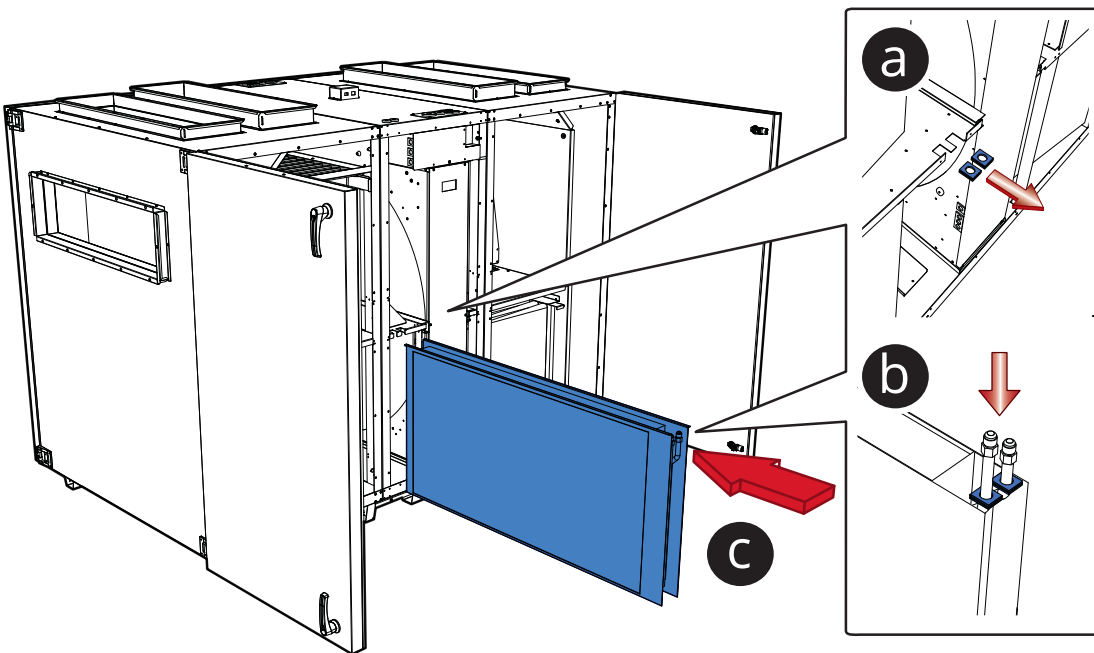
6.1. Items included



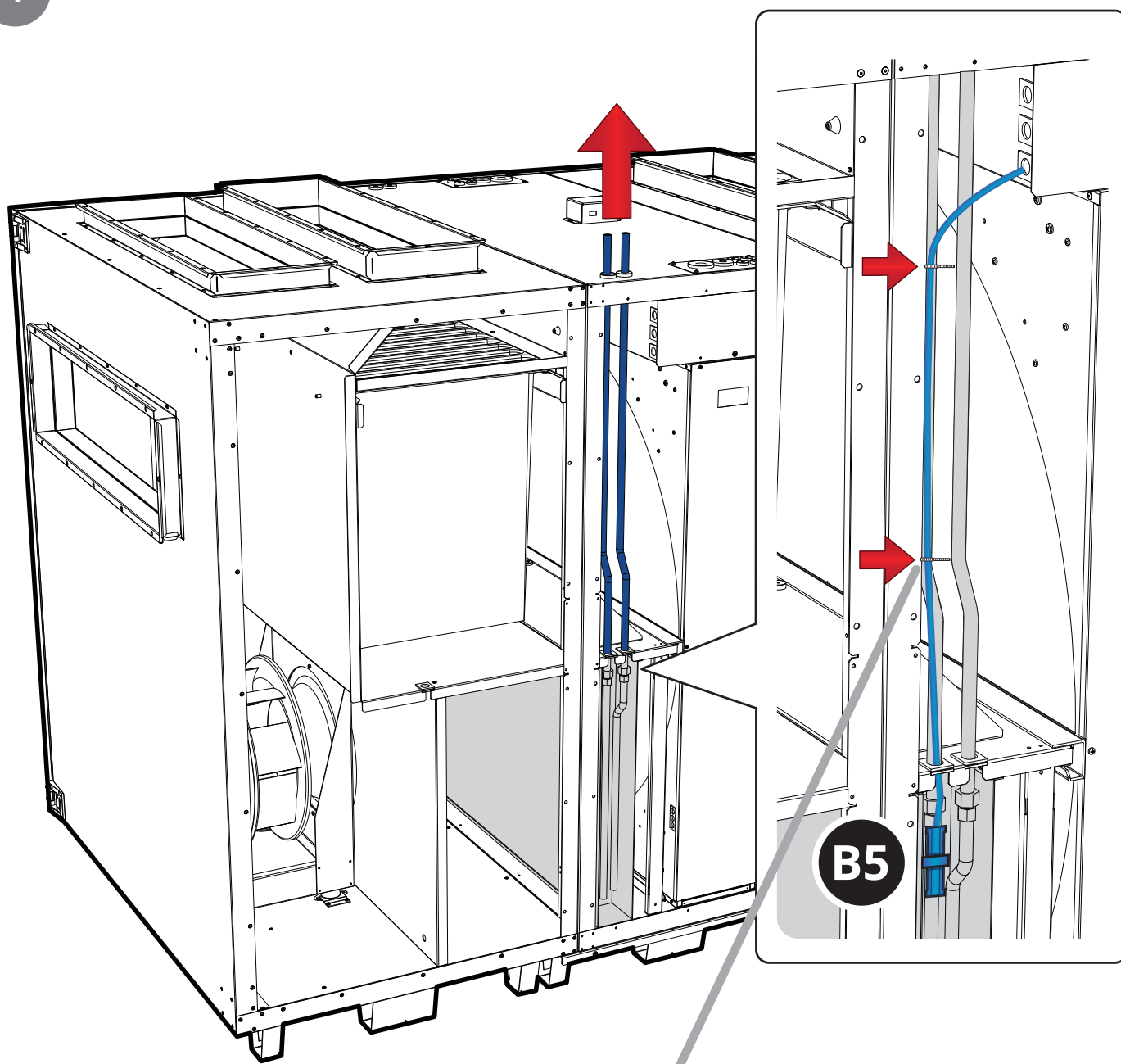
2



3

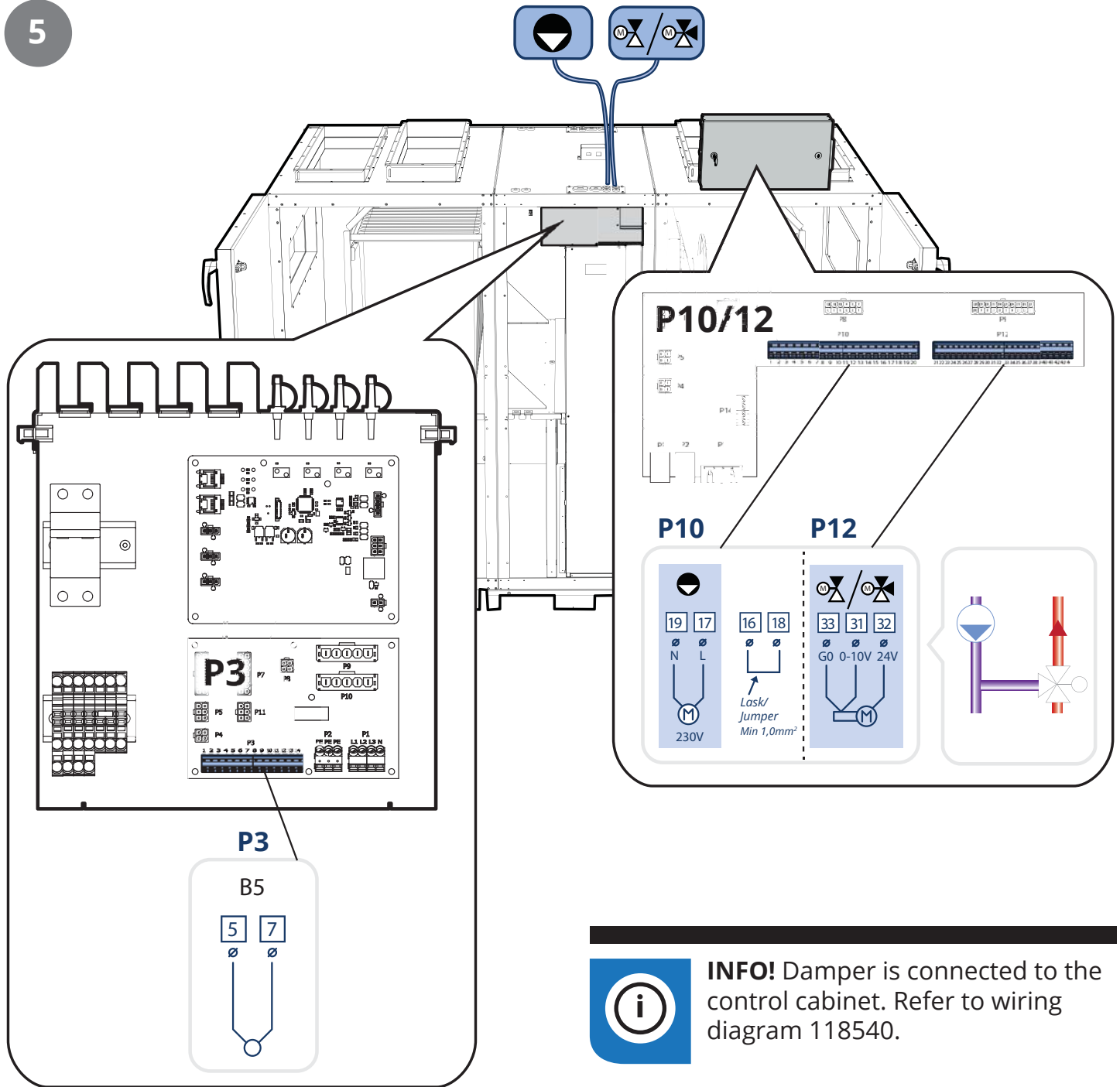


4



INFO! Frost sensor for return water (B5) fasten with zip tie.

5



INFO! Damper is connected to the control cabinet. Refer to wiring diagram 118540.



Flexit AS, Televeien 15, N-1870 Ørje
www.flexit.no