

## UNI 4 Ventilasjonsaggregat



Air handling unit suitable for larger residential and smaller commercial buildings.



- Temperature efficiency in the heat recovery system up to 85%.
- Specific fan power (SFP) in the ventilation system lower than 1.5.
- Extremely quiet.
- Simple to operate, change filters and maintain.
- Provides balanced ventilation with an extremely good indoor climate.
- Option of communication by Modbus.
- Modern design.
- Efficient and reliable – even in the cold.

|        | GTIN          | Model   |
|--------|---------------|---|
| 700060 | 7023677000602 | UNI 4 RER right model, EC fans, with electric element |
| 700061 | 7023677000619 | UNI 4 REL left model, EC fans, with electric element  |
| 700062 | 7023677000626 | UNI 4 R R right model, EC fans, without element       |
| 700063 | 7023677000633 | UNI 4 R L left model, EC fans, without element        |

## Technical data

|             |                                      | UNI 4 RE with electric battery | UNI 4 R        |
|-------------|--------------------------------------|--------------------------------|----------------|
| POWER       | Rated voltage (AC 50 Hz)             | 230 V                          | 230 V          |
|             | Frequency                            | 50 Hz                          | 50 Hz          |
|             | Fuse size                            | 10 A                           | 10 A           |
|             | Rated current                        | 7,2 A                          | 2,1 A          |
|             | Rated power, total                   | 1 655 W                        | 355 W          |
|             | Rated power, max. electric battery   | 1 300 W                        | -              |
|             | Rated power, fans                    | 175 W x 2                      | 175 W x 2      |
|             | Rated power, rotor motor             | 3 W                            | 3 W            |
| VENTILATION | Fan type                             | B-wheel                        | B-wheel        |
|             | Fan motor control                    | 0-10 V                         | 0-10 V         |
|             | Max. fan speed RPM                   | 2 930                          | 2 930          |
|             | Automatic control, standard          | CU60                           | CU60           |
|             | Filter class                         | ePM1 55% (F7)                  | ePM1 55% (F7)  |
|             | Filter type (supply air/extract air) | Compact filter                 | Compact filter |
| DIMENSIONS  | Filter dimensions (WxHxD)            | 459x207x31 mm                  | 459x207x31 mm  |
|             | Kitchen fan connection               | Ø 125 mm                       | Ø 125 mm       |
|             | Weight, ventilation unit             | 86 kg                          | 86 kg          |
|             | Weight, rotor                        | 14 kg                          | 14 kg          |
|             | Weight, door                         | 13 kg                          | 13 kg          |
|             | Weight, fan                          | 5 kg                           | 5 kg           |
|             | Duct connection                      | Ø 160 mm                       | Ø 160 mm       |
|             | Height                               | 700 mm                         | 700 mm         |
|             | Depth                                | 540 mm                         | 540 mm         |
| COATING     | Colour                               | White                          | White          |
|             | RAL                                  | 9016                           | 9016           |
|             | Gloss                                | 25-35                          | 25-35          |

Energy class:



CTRL 0.65

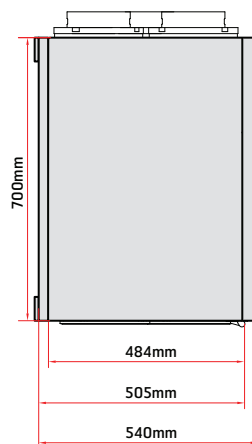
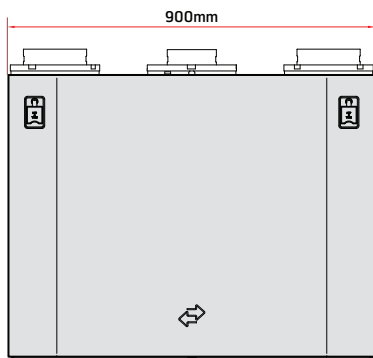
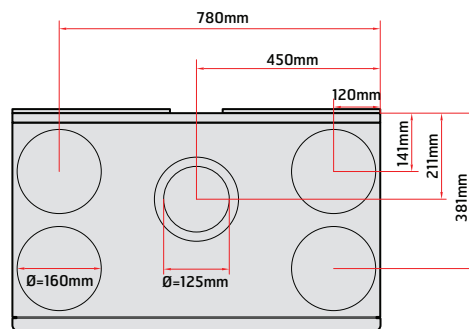
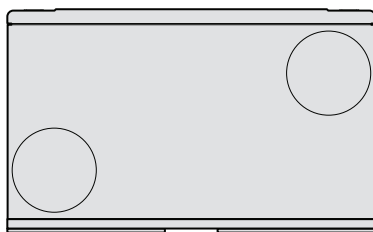
### LOCAL DEMAND CONTROL

Sensor control for different zones

**Accessories:** App + CO<sub>2</sub> sensor/  
motion sensor + damper

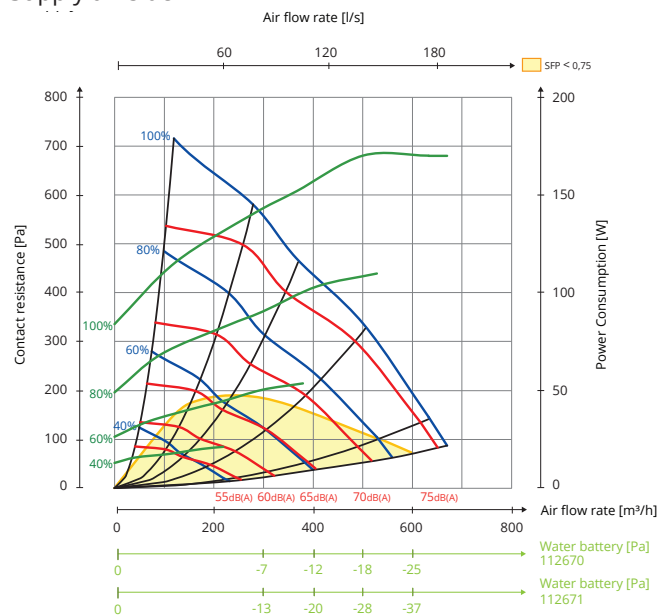
**Result:** Increased air flow rate in  
zones that need it

## Dimensioned drawing

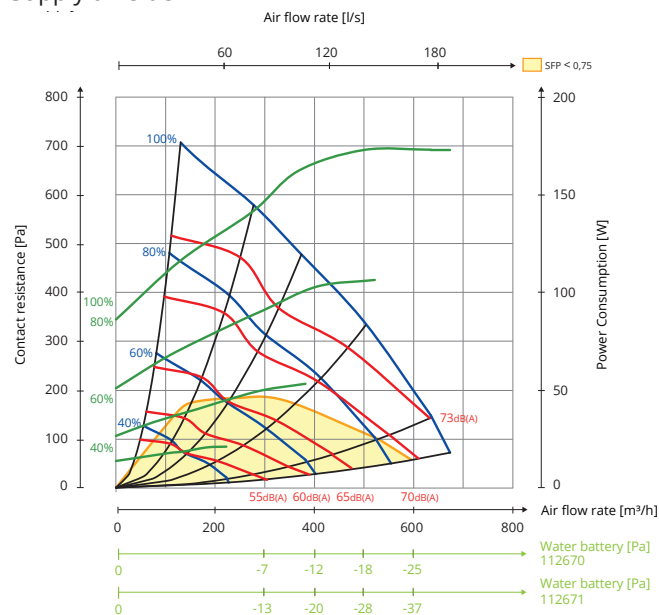


## Capacity and sound data

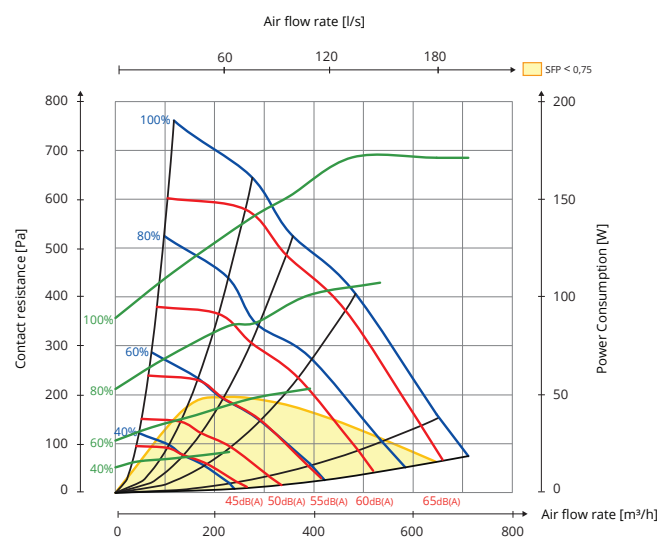
### Supply air side L



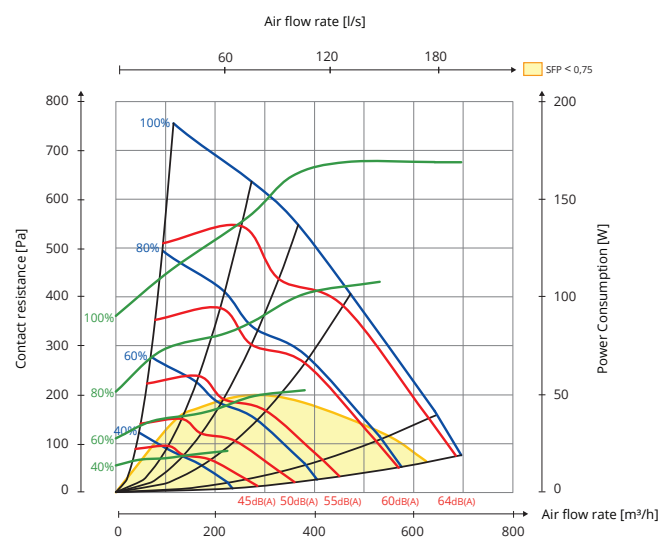
### Supply air side R



### Extract air side L



### Extract air side R



### Correction factor for Lw L

| Hz          | 63     | 125    | 250    | 500    | 1000   | 2000   | 4000   | 8000   | LwA   |
|-------------|--------|--------|--------|--------|--------|--------|--------|--------|-------|
|             | Lw(dB) | Lw(dB) | Lw(dB) | Lw(dB) | Lw(dB) | Lw(dB) | Lw(dB) | Lw(dB) | (dBA) |
| Supply air  | 5      | 7      | 3      | -4     | -8     | -11    | -23    | -23    |       |
| Extract air | 7      | 8      | 4      | -2     | -10    | -21    | -31    | -31    |       |
| Radiated    | -19    | -19    | -16    | -32    | -38    | -39    | -46    | -47    | -24   |

### Correction factor for Lw R

| Hz          | 63     | 125    | 250    | 500    | 1000   | 2000   | 4000   | 8000   | LwA   |
|-------------|--------|--------|--------|--------|--------|--------|--------|--------|-------|
|             | Lw(dB) | Lw(dB) | Lw(dB) | Lw(dB) | Lw(dB) | Lw(dB) | Lw(dB) | Lw(dB) | (dBA) |
| Supply air  | 5      | 9      | 2      | -3     | -9     | -11    | -23    | -25    |       |
| Extract air | 9      | 9      | 2      | -1     | -12    | -25    | -34    | -31    |       |
| Radiated    | -17    | -17    | -14    | -30    | -36    | -37    | -43    | -45    | -22   |

### Explanation of diagram

Sound data is stated as the sound output level LwA in the capacity diagrams (these are for sound to the duct). These values can be corrected by means of the table for the different octave bands if it is wished to look at Lw (without adaptation to A band).

The correction table for the various octaves is stated in Lw, which means that the Lw values are after conversion of each octave for supply air and extract air.

Radiated sound from the unit must be calculated from the supply air diagram.

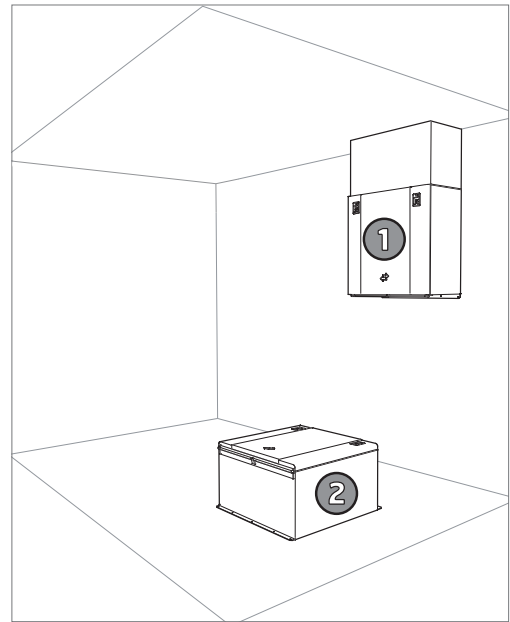
## Position

The unit can be installed in the following ways:

1. On a wall (vertically and laterally). In this case the enclosed wall bracket is used for installation. Duct covers are available as accessories.
2. On the floor (for both vertical and horizontal units), for the sake of noise and vibrations, absorption feet should be used. Flexit offers suitable absorption feet as accessories (product code 110955).

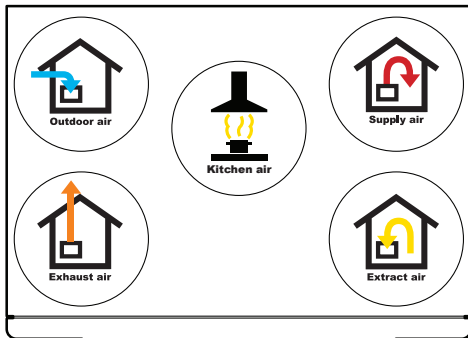
The unit is available in both left and right versions, depending on what best matches the duct location.

They can be located in a cold zone such as the loft.



## Duct location

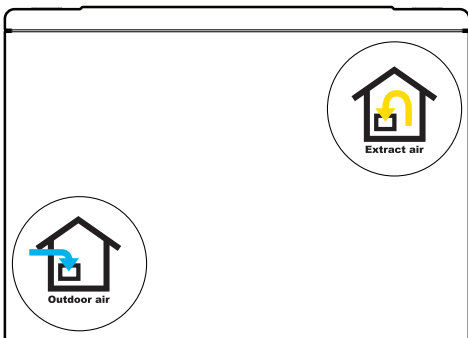
*Left-hand model top*



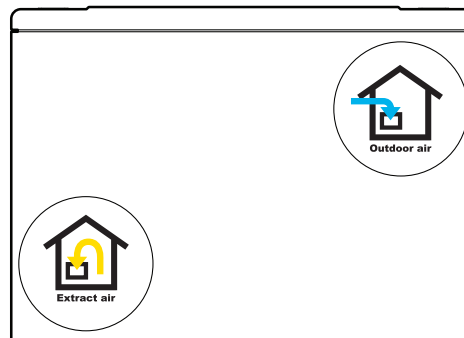
*Right-hand model top*



*Left-hand model bottom*



*Right-hand model bottom*



For more information on topics including installation, wiring diagrams and accessories, see [www.flexit.com](http://www.flexit.com)



Flexit participates in the ECP programme for RAHU.  
Check ongoing validity of certificate:  
[www.eurovent-certification.com](http://www.eurovent-certification.com)

The product is listed in the database for building products that can be used in Nordic Swan Ecolabelled buildings.