

| Revision History | | | | |
|------------------|---------|---------------------------------------|----------|------------|
| REV | CHECKED | REV NOTE | APPROVED | DATE |
| 3 | ---- | Changed name on cabel for Accessories | | 2021-03-03 |

| EXT3 | | CABLE FOR CONNECTION | |
|------|---------------------------|----------------------|--|
| 1 | Brown 0,5 mm ² | 2 | |
| 2 | Green 0,5 mm ² | 3 | |
| 3 | White 0,5 mm ² | | |

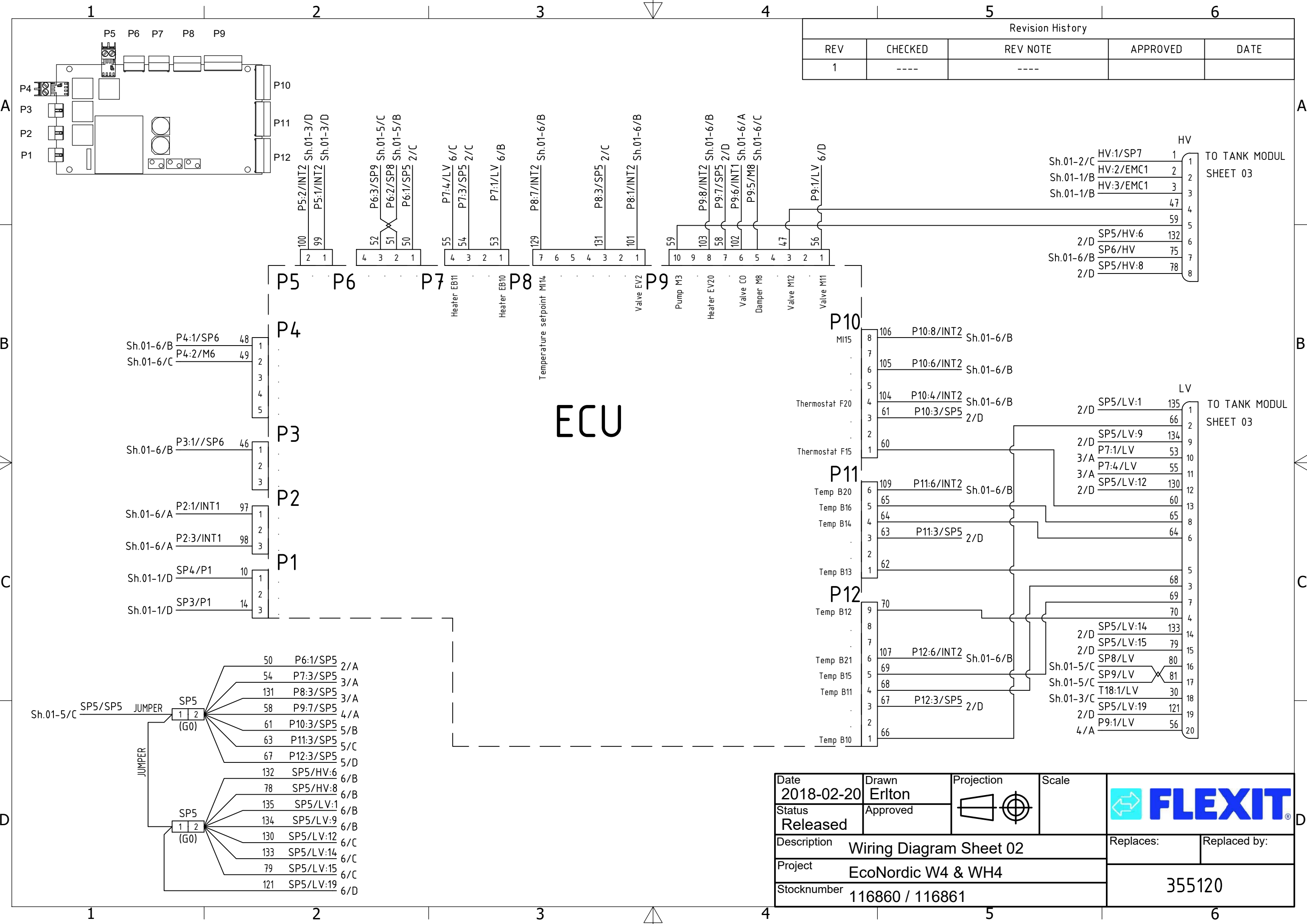
| INT1 | | Sh. | |
|------|-----------|-----------|--|
| 97 | P2:1/INT1 | Sh.02-1/C | |
| 98 | P2:3/INT1 | Sh.02-1/C | |
| 102 | P9:6/INT1 | Sh.02-4/A | |

| INT2 | | Sh. | |
|------|----------------|-----------|--|
| 9 | 101 P8:1/INT2 | Sh.02-3/A | |
| 10 | 103 P9:8/INT2 | Sh.02-4/A | |
| 11 | 104 P10:4/INT2 | Sh.02-5/B | |
| 12 | 105 P10:6/INT2 | Sh.02-5/B | |
| 13 | 106 P10:8/INT2 | Sh.02-5/B | |
| 14 | 107 P12:6/INT2 | Sh.02-5/C | |
| 15 | 108 SP5/INT2 | 5/C | |
| 16 | 109 P11:6/INT2 | Sh.02-5/C | |
| 17 | 112 SP1/INT2 | 2/C | |
| 18 | 129 P8:7/INT2 | Sh.02-3/A | |

| Accessories | | Sh. | |
|-------------|--|-----|--|
| 119 | | | |
| 116 | | | |
| 114 | | | |
| 115 | | | |

| HEATER | | Sh. | |
|--------|--------------|-----|--|
| 44 | T19:2/HEATER | 3/A | |
| 45 | SP3/HEATER | 1/D | |
| 36 | T2:1/HEATER | 3/C | |
| 122 | SP5/HEATER:4 | 4/C | |
| 23 | T1:4/HEATER | 2/C | |
| 28 | SP5/HEATER:6 | 4/C | |

| | | | | | | |
|-------------|-------------------------|----------|--------|------------|-----------|--------------|
| Date | 2019-01-21 | Drawn | Erlton | Projection | Scale | |
| Status | Released | Approved | | | | |
| Description | Wiring Diagram Sheet 01 | | | | Replaces: | Replaced by: |
| Project | EcoNordic W4 & WH4 | | | | 355119 | |
| Stocknumber | 116860 / 116861 | | | | | |



| Revision History | | | | |
|------------------|---------|----------|----------|------|
| REV | CHECKED | REV NOTE | APPROVED | DATE |
| 1 | ---- | ---- | | |

| HV | | TO TANK MODUL SHEET 03 | |
|-----------|-----------|------------------------|---|
| Sh.01-2/C | HV:1/SP7 | 1 | 1 |
| Sh.01-1/B | HV:2/EMC1 | 2 | 2 |
| Sh.01-1/B | HV:3/EMC1 | 3 | 3 |
| | | 47 | 4 |
| | | 59 | 5 |
| 2/D | SP5/HV:6 | 132 | 6 |
| Sh.01-6/B | SP6/HV | 75 | 7 |
| 2/D | SP5/HV:8 | 78 | 8 |

| LV | | TO TANK MODUL SHEET 03 | |
|-----------|-----------|------------------------|----|
| 2/D | SP5/LV:1 | 135 | 1 |
| | | 66 | 2 |
| 2/D | SP5/LV:9 | 134 | 9 |
| 3/A | P7:1/LV | 53 | 10 |
| 3/A | P7:4/LV | 55 | 11 |
| 2/D | SP5/LV:12 | 130 | 12 |
| | | 60 | 13 |
| | | 65 | 8 |
| | | 64 | 6 |
| | | 68 | 5 |
| | | 69 | 3 |
| | | 70 | 7 |
| 2/D | SP5/LV:14 | 133 | 14 |
| 2/D | SP5/LV:15 | 79 | 15 |
| | SP8/LV | 80 | 16 |
| Sh.01-5/C | SP9/LV | 81 | 17 |
| Sh.01-5/C | T18:1/LV | 30 | 18 |
| Sh.01-3/C | SP5/LV:19 | 121 | 19 |
| 2/D | | | 19 |
| 4/A | P9:1/LV | 56 | 20 |

| | | | | |
|--|-----------------|----------------|-----------|--------------|
| Date 2018-02-20 | Drawn Erlton | Projection | Scale | |
| Status Released | Approved | | | |
| Description Wiring Diagram Sheet 02 | | | Replaces: | Replaced by: |
| Project EcoNordic W4 & WH4 | | | 355120 | |
| Stocknumber 116860 / 116861 | | | | |

1 2 3 4 5 6

| Revision History | | | | |
|------------------|---------|---------------------|----------|------------|
| REV | CHECKED | REV NOTE | APPROVED | DATE |
| 3 | KR | New F10 double pole | | 2022-06-02 |

A

A

B

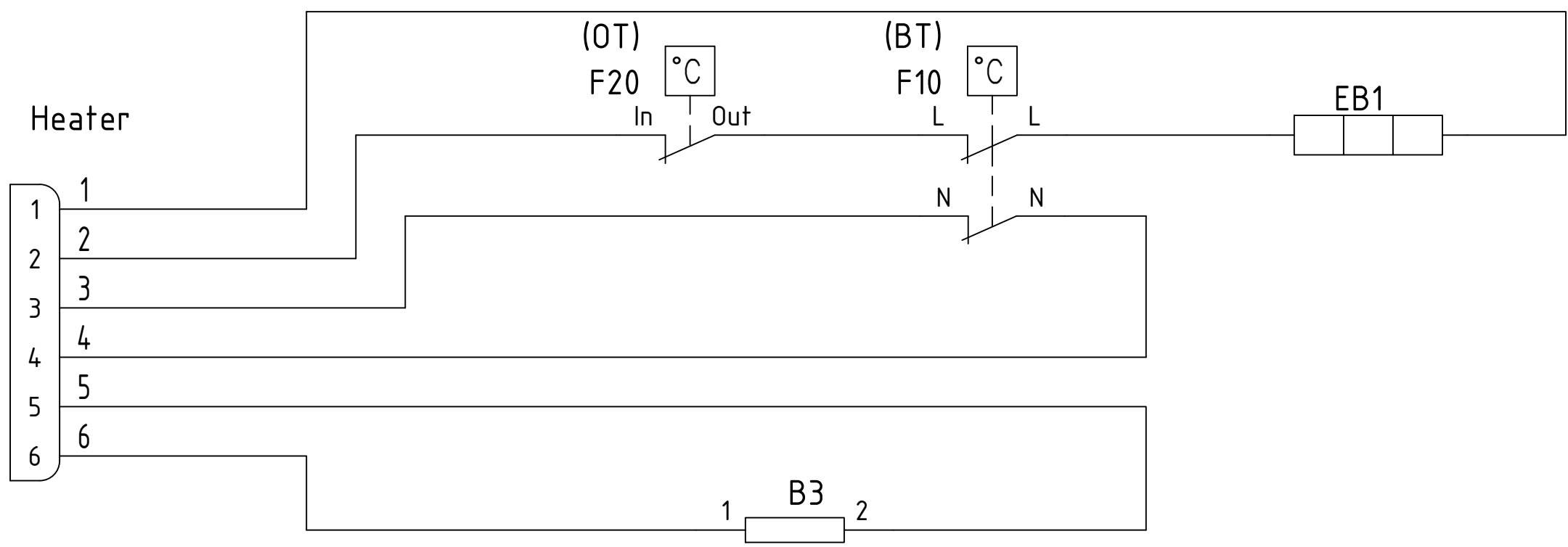
B

C

C

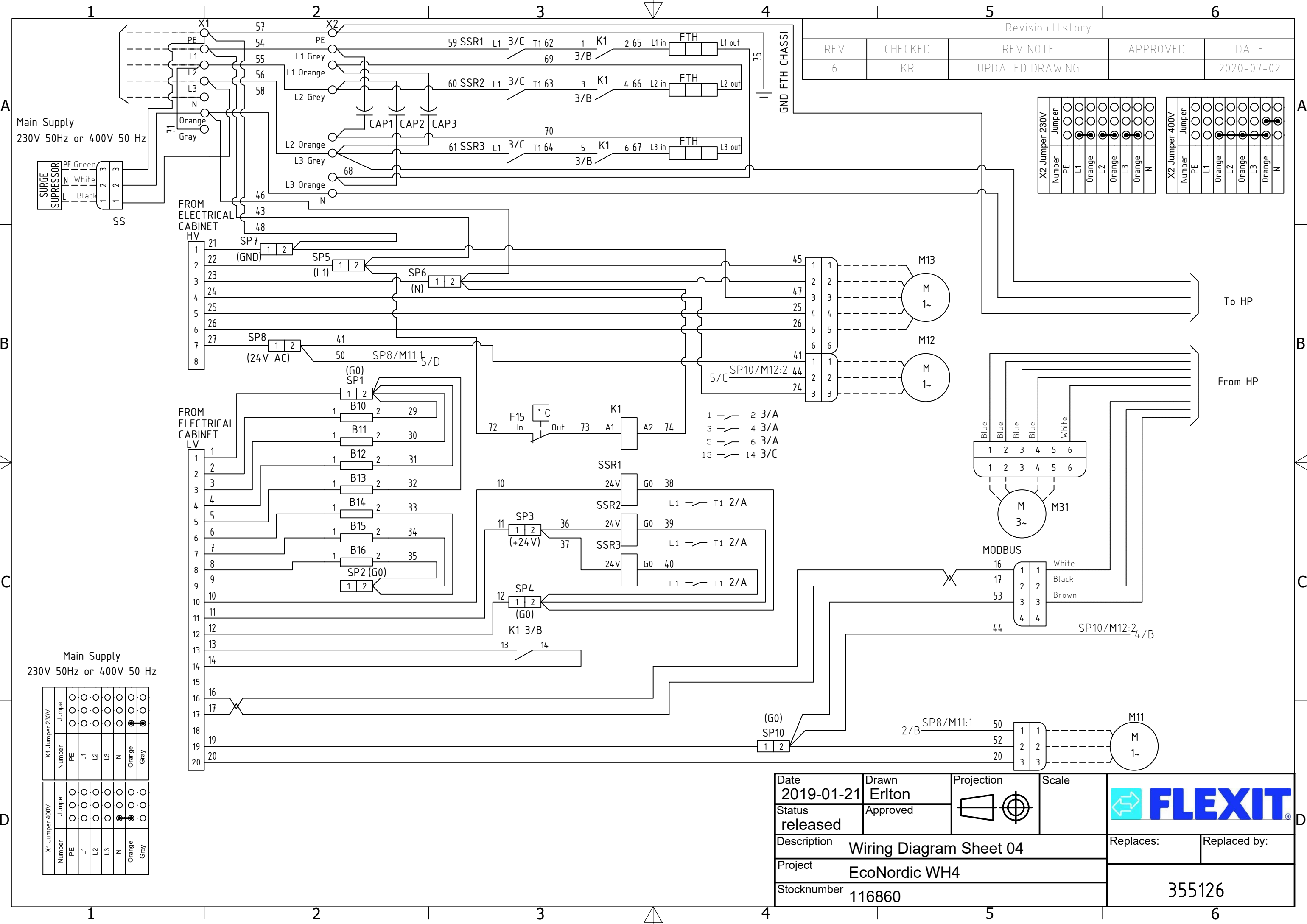
D

D



| | | | | |
|--|-----------------|----------------|-----------|--------------|
| Date 2018-02-20 | Drawn Erlton | Projection | Scale | |
| Status Released | Approved | | | |
| Description Wiring Diagram Sheet 03 | | | Replaces: | Replaced by: |
| Project EcoNordic W4 & WH4 | | | 355121 | |
| Stocknumber 116860 / 116861 | | | | |

1 2 3 4 5 6



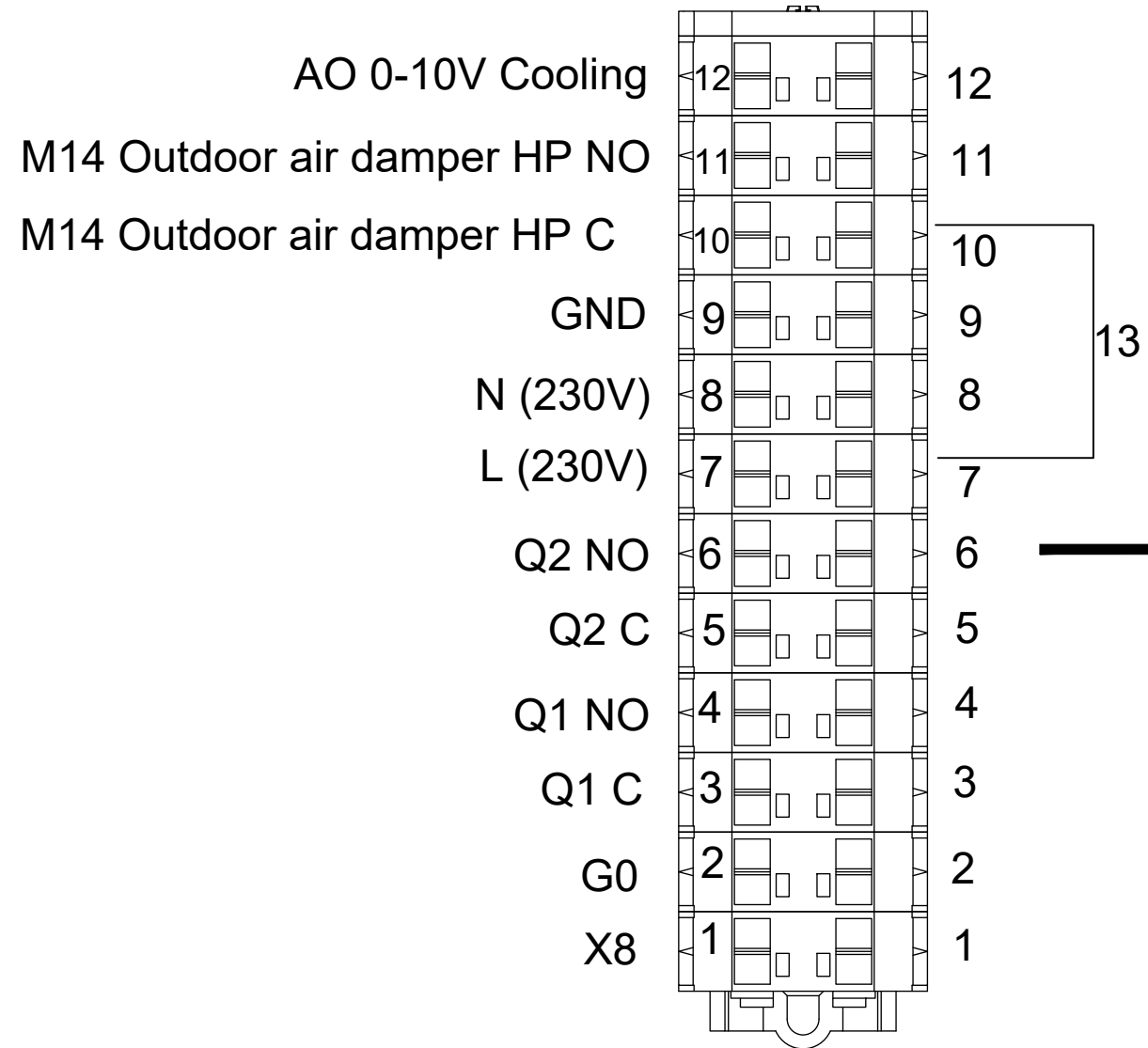
| Revision History | | | | |
|------------------|---------|-----------------|----------|------------|
| REV | CHECKED | REV NOTE | APPROVED | DATE |
| 6 | KR | UPDATED DRAWING | | 2020-07-02 |

| X2 Jumper 230V | | | | | | | | | | X2 Jumper 400V | | | | | | | | | |
|----------------|----|----|--------|----|--------|----|--------|---|--|----------------|----|----|--------|----|--------|----|--------|---|--|
| Number | PE | L1 | Orange | L2 | Orange | L3 | Orange | N | | Number | PE | L1 | Orange | L2 | Orange | L3 | Orange | N | |
| 1 | | | | | | | | | | 1 | | | | | | | | | |
| 2 | | | | | | | | | | 2 | | | | | | | | | |
| 3 | | | | | | | | | | 3 | | | | | | | | | |
| 4 | | | | | | | | | | 4 | | | | | | | | | |
| 5 | | | | | | | | | | 5 | | | | | | | | | |
| 6 | | | | | | | | | | 6 | | | | | | | | | |
| 7 | | | | | | | | | | 7 | | | | | | | | | |
| 8 | | | | | | | | | | 8 | | | | | | | | | |
| 9 | | | | | | | | | | 9 | | | | | | | | | |
| 10 | | | | | | | | | | 10 | | | | | | | | | |
| 11 | | | | | | | | | | 11 | | | | | | | | | |
| 12 | | | | | | | | | | 12 | | | | | | | | | |
| 13 | | | | | | | | | | 13 | | | | | | | | | |
| 14 | | | | | | | | | | 14 | | | | | | | | | |
| 15 | | | | | | | | | | 15 | | | | | | | | | |
| 16 | | | | | | | | | | 16 | | | | | | | | | |
| 17 | | | | | | | | | | 17 | | | | | | | | | |
| 18 | | | | | | | | | | 18 | | | | | | | | | |
| 19 | | | | | | | | | | 19 | | | | | | | | | |
| 20 | | | | | | | | | | 20 | | | | | | | | | |

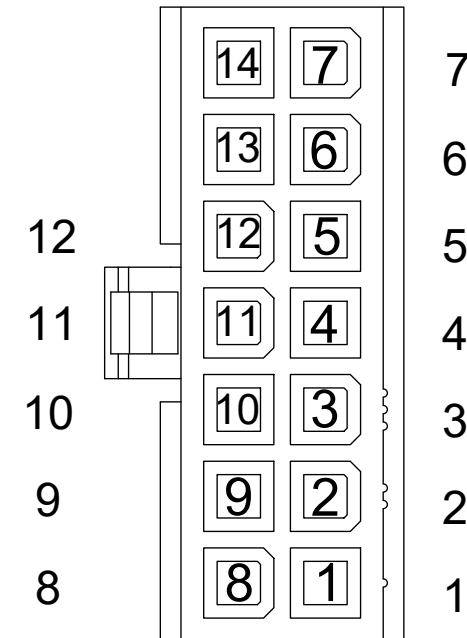
| X1 Jumper 230V | | | | | | | | | | X1 Jumper 400V | | | | | | | | | |
|----------------|----|----|----|----|---|--------|------|--|--|----------------|----|----|----|----|---|--------|------|--|--|
| Number | PE | L1 | L2 | L3 | N | Orange | Gray | | | Number | PE | L1 | L2 | L3 | N | Orange | Gray | | |
| 1 | | | | | | | | | | 1 | | | | | | | | | |
| 2 | | | | | | | | | | 2 | | | | | | | | | |
| 3 | | | | | | | | | | 3 | | | | | | | | | |
| 4 | | | | | | | | | | 4 | | | | | | | | | |
| 5 | | | | | | | | | | 5 | | | | | | | | | |
| 6 | | | | | | | | | | 6 | | | | | | | | | |
| 7 | | | | | | | | | | 7 | | | | | | | | | |
| 8 | | | | | | | | | | 8 | | | | | | | | | |
| 9 | | | | | | | | | | 9 | | | | | | | | | |
| 10 | | | | | | | | | | 10 | | | | | | | | | |
| 11 | | | | | | | | | | 11 | | | | | | | | | |
| 12 | | | | | | | | | | 12 | | | | | | | | | |
| 13 | | | | | | | | | | 13 | | | | | | | | | |
| 14 | | | | | | | | | | 14 | | | | | | | | | |
| 15 | | | | | | | | | | 15 | | | | | | | | | |
| 16 | | | | | | | | | | 16 | | | | | | | | | |
| 17 | | | | | | | | | | 17 | | | | | | | | | |
| 18 | | | | | | | | | | 18 | | | | | | | | | |
| 19 | | | | | | | | | | 19 | | | | | | | | | |
| 20 | | | | | | | | | | 20 | | | | | | | | | |

| | | | | | | |
|-------------|-------------------------|----------|--------|------------|-----------|--------------|
| Date | 2019-01-21 | Drawn | Erlton | Projection | Scale | |
| Status | released | Approved | | | | |
| Description | Wiring Diagram Sheet 04 | | | | Replaces: | Replaced by: |
| Project | EcoNordic WH4 | | | | 355126 | |
| Stocknumber | 116860 | | | | | |

| Revision History | | | | |
|------------------|---------|---|----------|------------|
| REV | CHECKED | REV NOTE | APPROVED | DATE |
| 2 | ---- | added cable no 13 between terminal 7 and 10 | | 2019-11-21 |
| 3 | | Added designation M14 | KR | 2020-09-02 |



connects to terminal INT1 on sheet 1



| | | | | |
|---|-----------------|----------------|-----------|--------------|
| Date 2018-02-21 | Drawn Erlton | Projection | Scale | |
| Status released | Approved | | | |
| Description Wiring Diagram Sheet 05 | | | Replaces: | Replaced by: |
| Project std accessories connection EcoNordic | | | 355123 | |
| Stocknumber 116860 / 116861 | | | | |

| DESCRIPTION | NO | EN | SV | DA | FI |
|-------------|--|--|---|--|--|
| B1 | Temperaturføler, tilluft | Temperature sensor, supply air | Temperaturgivare, tilluft | Temperaturføler, indblæsningsluft | Lämpötila-anturi, tuloilma |
| B3 | Temperaturføler, avtrekk | Temperature sensor, extract air | Temperaturgivare, frånluft | Temperaturføler, udsugningsluft | Lämpötila-anturi, poistoilma |
| B4 | Temperaturføler, uteluft | Temperature sensor, outdoor air | Temperaturgivare, uteluft | Temperaturføler, udeluft | Lämpötila-anturi, ulkoilma |
| B6 | Temperaturføler, avkast | Temperature sensor, exhaust air | Temperaturgivare, avluft | Temperaturføler, udblæsning | Lämpötila-anturi, jäteilma |
| B10 | Temperaturføler, tank topp | Temperature sensor, top of tank | Temperaturgivare, tank topp | Temperaturføler, tank top | Lämpötila-anturi, varaajan päällä |
| B11 | Temperaturføler, tank midt | Temperature sensor, middle of tank | Temperaturgivare, tank mitt | Temperaturføler, tank midt | Lämpötila-anturi, varaajan keskellä |
| B14 | Temperaturføler, etter elektrisk ettervarmebatteri (FTH) | Temperature sensor, after electrical heating battery (FTH) | Temperaturgivare, efter elektrisk eftervarmebatteri (FTH) | Temperaturføler, efter elektrisk eftervarmeplade (FTH) | Lämpötila-anturi, sähkö lämmityspatteri (FTH) |
| B15 | Temperaturføler, etter gjennomstrømningsvarmer (FTH) | Temperature sensor, after flow through heater (FTH) | Temperaturgivare, efter genomstrømningsvärmare (FTH) | Temperaturføler, efter igennemstrømningsvarmer (FTH) | Lämpötila-anturi, sähkö virtauslämmitin (FTH) |
| B16 | Temperaturføler, tank bunn | Temperature sensor, bottom of tank | Temperaturgivare, tank bott | Temperaturføler, tank bund | Lämpötila-anturi, varaajan pohjalla |
| CI70 | Kontakt til styrepanel | Control panel connector | Kontakt för styrpanel | Konnektor til styrepanel | Ohjauspaneeli liitin |
| CU | Styrekort | Control board | Styrkort | Styrekort | Ohjainkortti |
| ECU | I/O-kort | I/O-board | I/O-kort | I/O-kort | I/O-taulu |
| SP(XX) | Sammenkoblingspunkt internt i ledningssett | Internal splice in cable harness | Sammenkopplingspunkt internt i kablage | Sammenkoblingspunkt internt i ledningsæt | Johdinsarjan sisäliitos |
| M1 | Tilluftsvifte | Supply air fan | Tilluftsfäkt | Indblæsningsventilator | Tuloilmapuhallin |
| M2 | Avtrekksvifte | Extract air fan | Frånluftsfäkt | Udsugningsventilator | Poistoilmapuhallin |
| M3 | Rotormotor | Rotor motor | Rotormotor | Rotormotor | LTO-kiekon moottori |
| M6 | Avkastspjeld | Exhaust air damper | Avluftsspjäll | Udblæsningsspjæld | Poistoilman vaimennin |
| M8 | Avkast til varmpumpespjeld | Exhaust air to HP damper | Avluft till HP spjäll | Udblæsning til varmpumpespjæld | Poistoilma-HP-vaimennin |
| F10 | Overopphetningstermostat EB1 Manuell reset | Thermostat overheating EB1 Manual reset | Överhettningstermostat EB1 Manuell återställning | Overophedningstermostat EB1 Manuel resetfunktion | Yliämpötermostaatti EB1 Manuaalinen nollaus |
| F15 | Overopphetningstermostat (FTH), manuell reset | Thermostat overheating FTH, manual reset | Överhettningstermostat (FTH), manuell återställning | Overophedningstermostat (FTH), manuel reset | Yliämpötermostaatti, FTH, manuaalinen nollaus |
| F20 | Overopphetningstermostat EB1 Automatisk reset | Thermostat overheating EB 1 Automatic reset | Överhettningstermostat EB1 Automatisk återställning | Overophedningstermostat EB1 Automatisk reset | Termostaatti EB1 Automaattinen nollaus |
| M31 | Sirkulasjonspumpe | Circulation pump | Cirkulationspump | Cirkulationspumpe | Kiertopumppu |
| K1 | Kontaktor | Contaktor | Kontaktor | Kontaktor | Kontaktori |
| SSR | Halvlederrelé | Solid state relay | Halvlederrelä | Halvlederrelæ | Puolijohderele |
| EB1 | Ettervarmebatteri, elektrisk | Heating battery, electrical | Eftervarmebatteri, elektrisk | Eftervarmeplade, elektrisk | Lämmityspatteri, sähkö |
| HP | Varmepumpe | Heat pump | Värmepump | Varmepumpe | Lämpöpumppu |
| B12 | Temperatursensor, varmesystem forsyning | Temperature sensor, heating system feed | Temperaturgivare, varmesystem tur | Temperatursensor, varmesystem forsyning | Lämpötila-anturi, lämmitysjärjestelmän syöttö |
| B13 | Temperatursensor, varmesystem retur | Temperature sensor, heating system return | Temperaturgivare, varmesystem retur | Temperatursensor, varmesystem retur | Lämpötila-anturi, lämmitysjärjestelmän paluu |
| FTH | Gjennomstrømningsvarmer | Flowthrough heater | Genomstrømningsvärmare | Igennemstrømningsvarmer | Läpivienti lämmitin |
| M11 | Reguleringsventil, varmtvann / varmesystem | Control valve, domestic hot water/heating system | Reglerventil, varmvatten/varmesystem | Reguleringsventil, varmt vand / varmesystem | Ohjausventtiilin, kuuma vesi / lämmitysjärjestelmä |
| M12 | Bytteventil, Tank / HP | Changeover valve, Tank/HP | Växelventil, Tank/HP | skifteventil, Tank / HP | vaihtoventtiilin, Säiliö / HP |
| M13 | Sirkulasjonspumpe, varmesystem | Circulation pump, heating system | Cirkulationspump, varmesystem | Cirkulationspumpe, varmesystem | Kiertovesipumppu, lämmitysjärjestelmä |
| M14 | Frostsikringsspjeld, HP | Outdoor air damper, HP | Frostsäkringsspjäll, HP | Frostbeskyttelsesspjæld, HP | Jäätymissuojapelti, HP |
| X1 | Tilkoblingsklemme, forsyningsspenning | Supply voltage terminal | Anslutningsplint, matningsspänning | Tilslutningsterminal, forsyningsspænding | Liitäntänäpa, syöttöjännite |
| X2 | Bryterterminal, 230/400V | Switching terminal, 230/400V | Omkopplingsplint, 230/400V | Skifteterminal, 230 / 400V | Kytentänäpa, 230 / 400V |
| Cap | Kondensator | Capacitor | Kondensator | Kondensator | kondensaattori |