

# Ventilation units for new and existing homes

Nordic series

Energy-efficient and low-noise units to provide fresh air at the right temperature in all rooms, all year round.



# Clean, fresh air at the right temperature in all rooms, all year round



Balanced is an excellent solution in which humid air is expelled from the kitchen, bathroom, toilets and laundry rooms.

In addition, fresh air at the right temperature is led into bedrooms and living rooms.

can be increased when showers are in use and extra humidity is produced.

When humidifiers are in use, is regulated automatically.



On average, we spend 58 years of our lives at home, and as much as 27 years in the bedroom, so the air in housing is important.

## Better indoor climate

We spend more and more time indoors. In fact 90 per cent of the hours of the day.

A good, healthy indoor climate is vital if we are to function optimally in our daily lives. If the indoor climate is poor, there is a risk of dangerous respiratory diseases and other health problems, and in the longer term a poorer quality of life. Many people suffer from respiratory diseases which are often caused by poor indoor .

That is why Flexit has developed healthy, energy-efficient solutions for the whole house.

## Balanced with heat recovery

Balanced ensures a good indoor climate in all rooms, all year round. The house is supplied with clean, fresh air at the right temperature, and used indoor air is removed. The indoor air is kept fresh and clean, and comfort is high.

You save energy, since up to 85% of the heat in the air is recovered.

Heat recovery means that the fresh air has the right temperature, and there are no cold draughts during the cold seasons.

Flexit has attached great importance to developing units that can withstand the tough demands of our Scandinavian climate.

The units are constructed to avoid cold bridges, and to reduce heat loss as much as possible. This means good heat recovery and minimises the risk of condensation.

## Cooling recovery and night cooling in summer

On hot summer days the outdoor temperature rises rapidly, which means that in some periods it is cooler indoors because of thermal inertia. During these periods, the supply air is cooled by the cooler extract air. Cooling recovery is a standard function.

At night, when the outdoor air is cooler than the indoor air, the cooler outdoor air cools the house – i.e. there is summer night cooling. This function can be activated in the Flexit GO app as required.



### Think of when refurbishing

When older housing is refurbished, energy-saving steps are often taken, such as replacing windows, increasing insulation and replacing heat sources. Many people forget when housing is refurbished, and discover problems afterwards with stuffiness, condensation on windows and damage from humidity. Remember, therefore, to check what is needed to upgrade the before you begin refurbishing – not afterwards.

### Advantages of balanced

- Polluted and humid indoor air is removed
- The home is supplied with clean, filtered air at the right temperature
- High comfort, low noise and draught-free
- Saves energy and recovers up to 85% of the heat in the ventilated air
- Developed for demanding climates, so it functions optimally, even during the cold seasons



### Good is even more important in new homes

Newly built houses are airtight and well insulated to save energy and prevent heat loss. At the same time, building regulations require energy-efficient in the home. The intention is to create an energy-efficient building with a good indoor climate. Energy-efficient solutions are needed, which provide fresh, clean air, removing spent and polluted air and recovering the heat.



## Residential units in the Nordic series best in their class

In Scandinavia we build houses to withstand the world's most demanding climate. Flexit therefore works for a better indoor climate, which is important for well-being and good health. Our innovative solutions contribute to smarter homes and more environment-friendly buildings, and play an important part in the green shift. Our products are tested in our state-of-the-art climate and sound laboratories, so you can rely on them.

The Nordic series are the best units on the market for a cold climate. They provide balanced and supply the house with clean, filtered fresh air at the right temperature. The unit is easily controlled from an app from a smart phone or tablet, or with an ordinary control panel.

The unit in the Nordic series has been developed to be energy efficient in the Scandinavian climate. It fits well in apartments, small buildings, bungalows and small commercial properties, and helps to produce a very good indoor climate. A rangehood can easily be connected using a bypass solution. The ventilator unit has highly efficient rotating heat exchangers with temperature efficiency levels up to 85%, and fans with low energy requirements.

All Nordic units have the Flexit GO app as the default control, and can be supplemented with a variety of accessories, either wireless or cable-connected, e.g. a control panel, humidifier, pressure sensor for a rangehood, CO<sub>2</sub> sensor etc. The control system is prepared for control according to local requirements. When extract-air humidity is high, the defrosting function secures operation in a cold climate.

All air handling units in the Nordic series can by default be controlled via BACnet IP och Modbus RTU\*.

*\*Modbus RTU cannot be used for Nordic KS3*

### Low noise

Noise from the Nordic system is very low. With low noise levels in the ducts and to surroundings, the unit is the best in its class.



### Energy efficient

units in the Nordic series are highly energy efficient. The fan motors in the units do not need much energy to transport the air. The rotating heat exchanger in the ventilator unit recovers a high proportion of the heat. The unit provides the owner with optimal in the home, at the lowest possible energy costs.

Smart, energy-efficient for  
a better indoor climate



### Built-in humidity control in the Nordic series

The unit has an integrated humidity sensor that measures the average humidity level of all extract air points in the home. Usually, you would have fixed limit values, but Flexit has chosen to use minor and rapid changes to activate the dehumidification function.

#### Built-in humidity control provides the following benefits

- There are no absolute limits to set.
- The function is season-independent with regard to varying humidity levels.
- When you don't need to set absolute humidity levels, this reduces the risk of false or non-activation due to varying humidity levels.
- When activated, the dehumidification function starts and runs until the humidity level begins to decrease + a set added time. After that, the unit returns to normal operation.



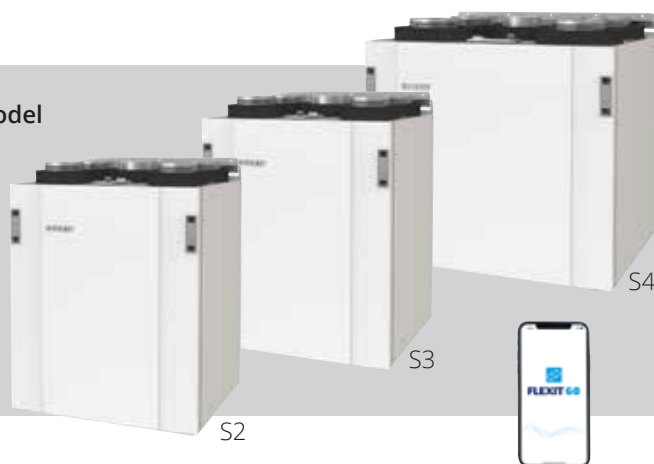
Necessary parameters can be adjusted using the Flexit GO app.

## Nordic S - Unit for installation on the wall, floor or ceiling

### S model

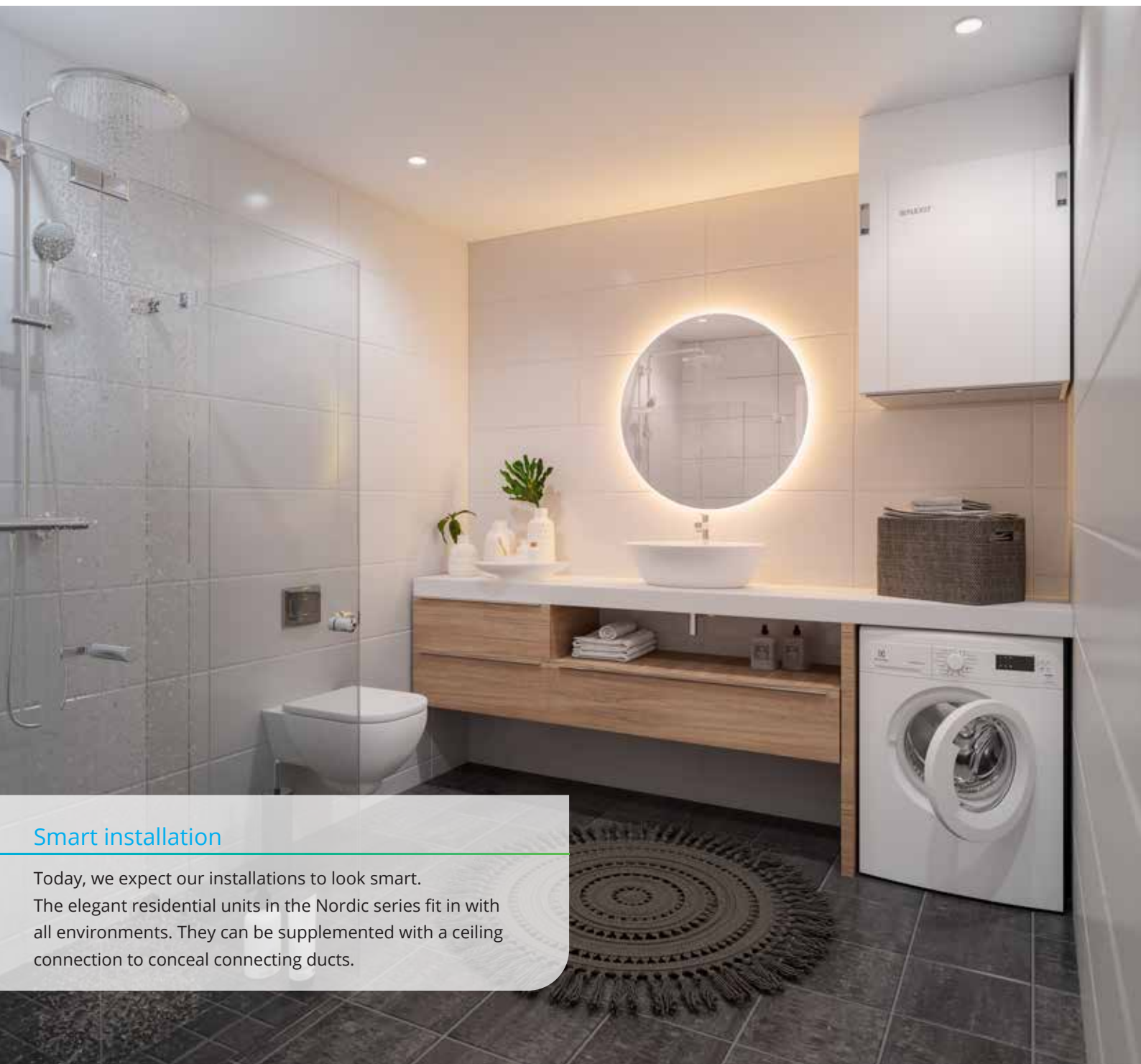
#### Advantages of the Nordic series residential unit, S model

- Energy efficient in demanding climate
- Built-in humidity control
- Modern design
- Easy operation and service
- Very low noise level in the ducts and to surroundings
- Controlled from an app and cloud services



### Easy to set up

The S models can be placed upright on walls, on the floor or suspended from the ceiling. The unit can be installed in either warm or cold areas.



### Smart installation

Today, we expect our installations to look smart. The elegant residential units in the Nordic series fit in with all environments. They can be supplemented with a ceiling connection to conceal connecting ducts.



Flexit's  
patented  
**Stage Wheel**  
provides up to  
10 percentage points  
increased thermal efficiency  
in residential  
air handling units

## New air handling units with new heat exchanger technology – Stage Wheel

Flexit has developed a completely new technology of rotating heat exchangers. This new technology places itself in a completely different category when it comes to performance and is a technological leap. Flexit's patented Stage Wheel provides up to 10 percentage points increased thermal efficiency according to EN13141-7:2021. You can read more about Stage Wheel on our website [www.flexit.com](http://www.flexit.com).

The two new models Nordic S7 SW and Nordic L6 SW are the first residential air handling units with our new groundbreaking rotating heat exchanger technology Stage Wheel, which provides the most energy-efficient air handling units with up to 95% thermal efficiency. Low energy consumption and local demand control provide an A+ eco-design rating. Designed for small homes and commercial buildings in Nordic climates.

### Advantages with Nordic S7 SW

- The most energy-efficient rotating heat exchanger on the market
- Eco-design label A+ with local demand control
- Vibration-dampening feet
- Built-in humidity sensor
- Very low noise level to duct and surroundings
- Control via app and cloud services
- Handles up to 195 l/s
- SFP 1.5 (vid 100Pa) for residences up to 450 m<sup>2</sup>



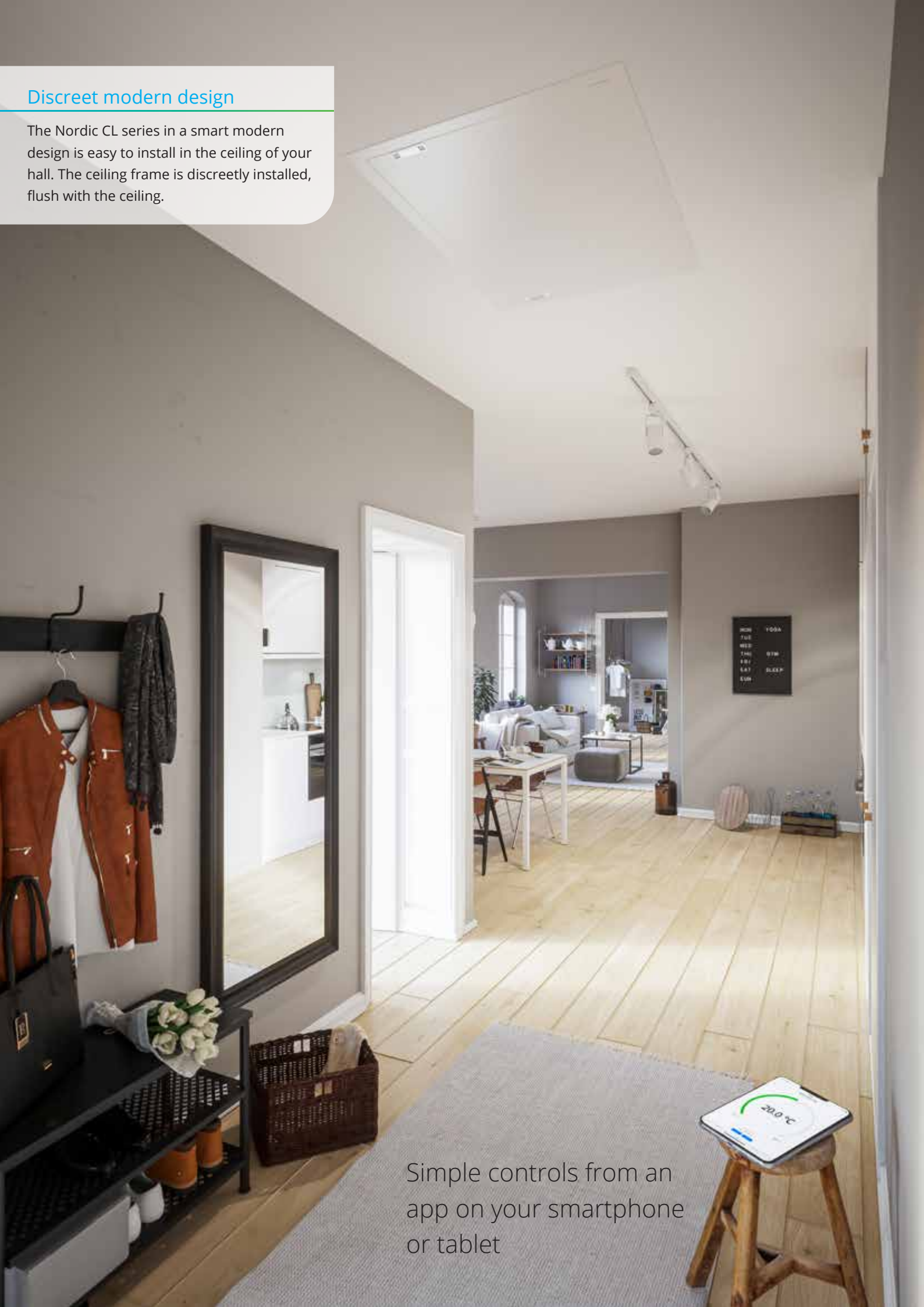
### Advantages with L6 SW

- Compact design for standard attic hatch
- Right/left configuration, doors on both sides
- Easy disassembly for reduced weight
- The most energy-efficient rotating heat exchanger on the market
- Very low noise level to duct and surroundings
- Handles up to 165 l/s
- SFP 1.5 (vid 100Pa) for residences up to 400 m<sup>2</sup>



## Discreet modern design

The Nordic CL series in a smart modern design is easy to install in the ceiling of your hall. The ceiling frame is discreetly installed, flush with the ceiling.



Simple controls from an app on your smartphone or tablet

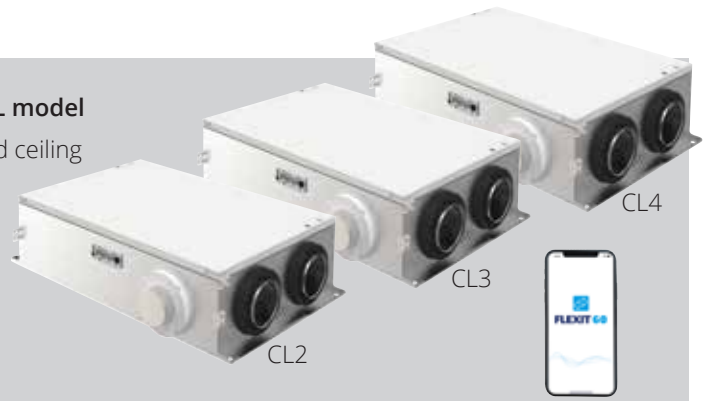


## Nordic CL - Unit for installation in an attic or suspended ceiling

### CL model

#### Advantages of the Nordic series residential unit, CL model

- Can be installed either in a cold attic or a suspended ceiling
- Low weight and height < 30 cm
- Built-in humidity control
- Configurable door solution
- Very low noise, below 35 dB(A)\*
- Controlled from an app and cloud services



*\*Noise to surroundings at 4 dB room attenuation, corresponding to 10m<sup>2</sup> Sabine.*

### Easy to set up

The CL series consists of units for attic installation in cold areas, but can also be installed in suspended ceilings. The unit is small and flexible, with low height and low weight. This makes it easy to position and install, as it can be lifted through an attic staircase. This also means that the unit is ideal as a replacement for older units.

A Nordic CL unit can also be fitted flush with the ceiling.

The unit can also be placed on a wall, or standing or lying on the floor, e.g. in a utility room.

CL models are available as either right- or left-hand models, which simplifies duct routing and means that the system can quickly and easily be mirrored in two apartments. With configurable doors, it is also possible to choose in which direction the door opens.



## Nordic KS3 - Air handling unit for mounting in kitchen over the stove or as a wall hanging unit in another room

### KS model

#### Advantages of the Nordic series residential unit , KS model

- Flexible with multiple placement options
- Optional rangehoods, Slimline or volume hoods
- Designfront panels in a variety of colours or integrated using kitchen cabinet doors
- Energy efficient, compact and very low noise
- Built-in humidity control
- Control from app and cloud services or control panel
- Easy installation and service-friendly

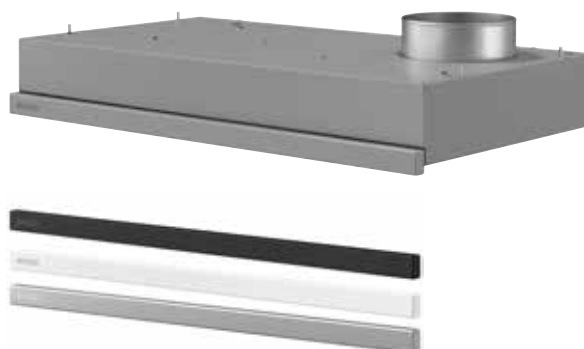


### As kitchen air handling unit above the cooker

Nordic KS3 can be placed in the kitchen above cooker. The unit's depth is only 318 mm and height 700 mm, including the rangehood. Thanks to its compact design, the unit can be installed between standard wall cabinets and hidden, either with a cabinet door from the kitchen supplier or with designfront panels from Flexit. Optional rangehoods in different colors are available for the unit.

### Discreet design adapted to your kitchen decor with the Slimline rangehood

Slimline rangehood with very good odour extraction for connection to Nordic KS3. Discreet design with grey frontlist as standard. The rangehood's functions are easily controlled with buttons. LED lighting with dimmer function. Grease filter in metal that can be washed in the dishwasher. Electronic sliding damper in metal. Possibility to adjust the air flow for basic air. The rangehood is prepared for easy installation and with a quick connector for electrical connection to the unit. Available with both right and left duct connection.



#### Frontlist for Slimline

Frontlist in steel to replace the original gray standard list on Slimline Nordic KS3. Gives the opportunity to match other kitchen furnishings. Available in black, white or stainless steel.

#### Frontpanel KS3 Slimline

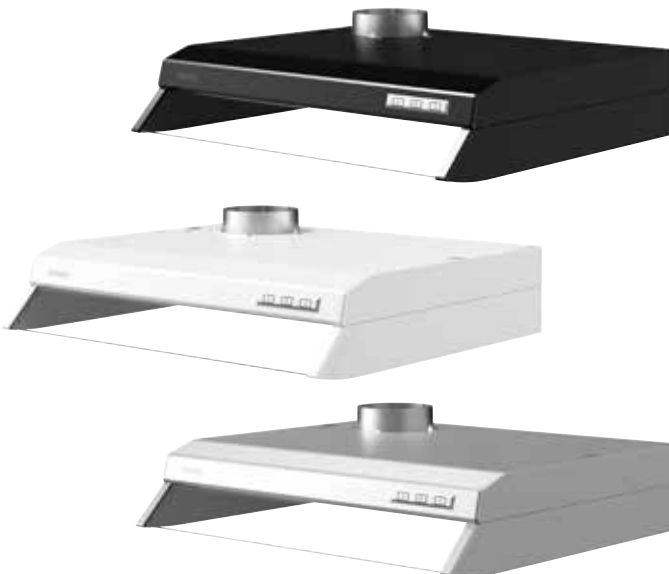
Frontpanel in steel for Nordic KS3 in a discreet design. Fits Nordic KS3 together with the Slimline rangehood. Gives the opportunity to match other kitchen furnishings. Available in black, white or stainless steel.





## Discreet design adapted to your kitchen decor with the Facet rangehood

The Facet rangehood is intended for Nordic KS3. The rangehood has very good odour extraction. Equipped with a metal grease filter that can be washed in the dishwasher. Electronic sliding damper in metal. Possibility to adjust the air flow for basic air. Electronic panel and good LED lighting with a very long service life. Supplied with cable for connection to Nordic K3. The rangehood is available with right and left duct connection and is easy to install and maintain.



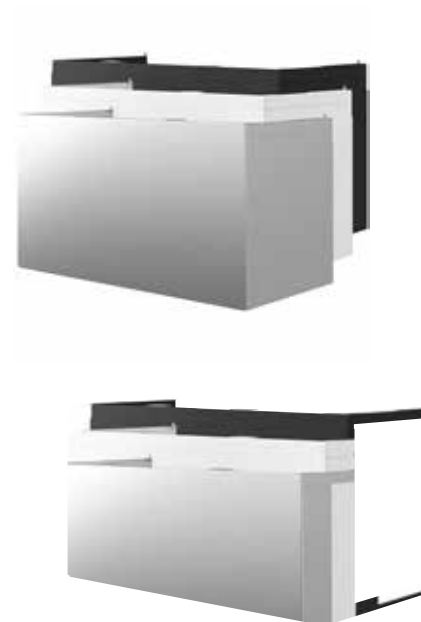
### Frontpanel KS3 Facet

Front panel in steel for Nordic KS3 in a discreet design. Fits Nordic KS3 together with the Facet rangehood. Gives the opportunity to match other kitchen furnishings. Available in black, white or stainless steel.



### Duct cover KS3 close or open side

Duct cover in steel with telescopic solution to hide ducts between unit and roof. Available in two different variants, close or open side, depending on the duct layout. Gives the opportunity to match other kitchen furnishings. Available in black, white or stainless steel. Can be adjusted between 300-540 mm height.





### Nordic KS3 - Wall-mounted

Flexit Nordic KS3 can also be installed as cabinet unit in e.g. hallway or laundry room and can be hidden behind a sliding wall or with a door as part of the interior.

Even the wall-mounted Nordic KS3 can be supplemented with a designfront and duct cover to match other furnishings. Designfront and duct cover are available in black, white or stainless steel.



## Flexit GO - the app gives you full control

To give you full control over the indoor climate in your home, the air handling unit has the Flexit GO control system. By means of an app, Flexit GO allows you to access the air handling unit from a mobile phone or tablet. It is also possible to check on noise or maintenance reports, set the desired temperature, select the setting, and receive information about filter replacements, etc. Having everything in one place makes things easy for you, and you do not need other control panels.

No matter where you are, the air handling unit can be controlled with Flexit GO. This allows the greatest flexibility, since you always have your mobile phone accessible – at home or when you are out. Flexit GO allows remote monitoring and service from Flexit or other service providers. That means we can help you as effectively as possible.

With the functions you control by Flexit GO, you get greater comfort and simpler everyday life.

As a bonus, you protect the environment and save money too!

### Easy connection directly from your mobile phone

It is easy to connect the unit directly from a mobile phone, without extra accessories. This requires the unit to be connected to the Internet.

### New services in the future

In the future, Flexit will offer new services via the app, which we hope you will find useful, and you will have easy access to them through your connection.



BETTER  
INDOOR  
CLIMATE

No matter where you are, you can control the unit with the Flexit GO app





## Accessories



### controlled by requirements

You can easily adjust the according to requirements in your home, e.g. with functions to remove humidity, pressure sensor for extra supply air to rangehood, fireplace mode etc. Detectors for monitoring CO<sub>2</sub>, humidity or movement sends signals to the unit, which then adjusts the as required. All accessories can also be controlled using the NordicPanel or the Flexit GO app. Read more about all accessories at [flexit.com](http://flexit.com)



Let the central vacuum cleaner work with the system for an optimal indoor climate. Cleaning is simple and efficient with Flexit central vacuum cleaners. In addition, they remove the harmful micro dust, which can be dangerous to breathe in. It is all collected in a centrally placed vacuum cleaner, which is emptied several times a year. Depending on its position, you can vacuum clean almost without noise. Easy installation in new or existing housing.

Clean air in the kitchen is important for the air quality all through the house. For best results, therefore, the in the kitchen should be regarded as part of the total solution. Food smells should preferably not be spread to other rooms. Flexit supplies quality extractor hoods for different kitchen arrangements. They all have high capacity and operate reliably.



### Changing the filter is investing in a healthy indoor climate

Filters clean indoor air by removing harmful dust such as pollen, bacteria and other organic and inorganic materials. There are two filters in the ventilation unit, a supply air filter and an exhaust air filter. A filter has a limited lifetime and it is therefore important to replace it when it is dirty. Clogged filters can reduce heat recovery in the unit and cause moisture damage. With Flexit original filters, the ventilation unit will work in the best possible way and ensure hygienic and efficient operation. Contact your local Flexit distributor for advise where to purchase original Flexit filters. Find your nearest distributor on our webpage: [www.flexit.no/en/distributors](http://www.flexit.no/en/distributors)



## You can rely on our data

All our residential units in the Nordic series and UNI 4 and K2.1 are Eurovent certified. That means all the technical data we supply for these units are tested and approved by Eurovent. The certificate gives you additional security as a customer that the data supplied is accurate, and that the unit functions best when it is needed – in a cold demanding climate.



Flexit participates in the ECP programme for RAHU. You can check the current validity of the certificate: [www.eurovent-certification.com](http://www.eurovent-certification.com)

## Made in Sweden

Flexit products undergoes continuous development to make them even more economical with energy saving, without compromising on a good indoor climate.

It is our philosophy that the energy you save by not using it, is the most environmentally friendly energy of all.

All units are manufactured in Töcksfors Sweden, and are always on stock.



Flexit supplies systems for a better indoor climate. Flexit is a market leader in residential and has provided systems to homes for over 40 years. Our systems are specially designed to improve the indoor climate in houses, in demanding conditions. So you can rest easy!

## Contact information

Tel.: +46 (0)10-209 86 00  
[export@flexit.com](mailto:export@flexit.com)

Follow us on



 **FLEXIT**<sup>®</sup>  
BETTER INDOOR CLIMATE