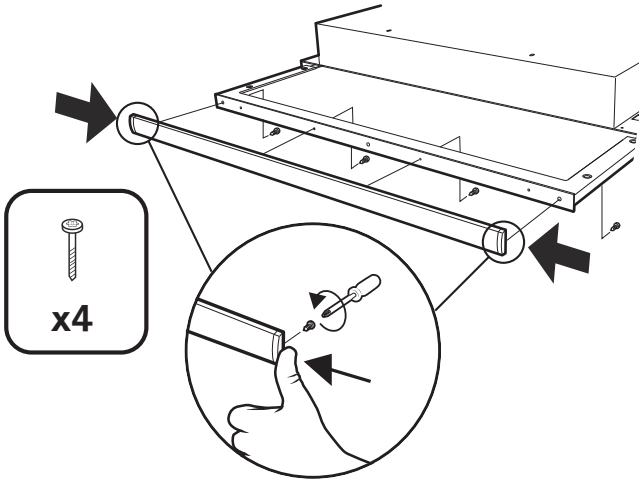


1



Apply pressure on the corner while fastening.

2

